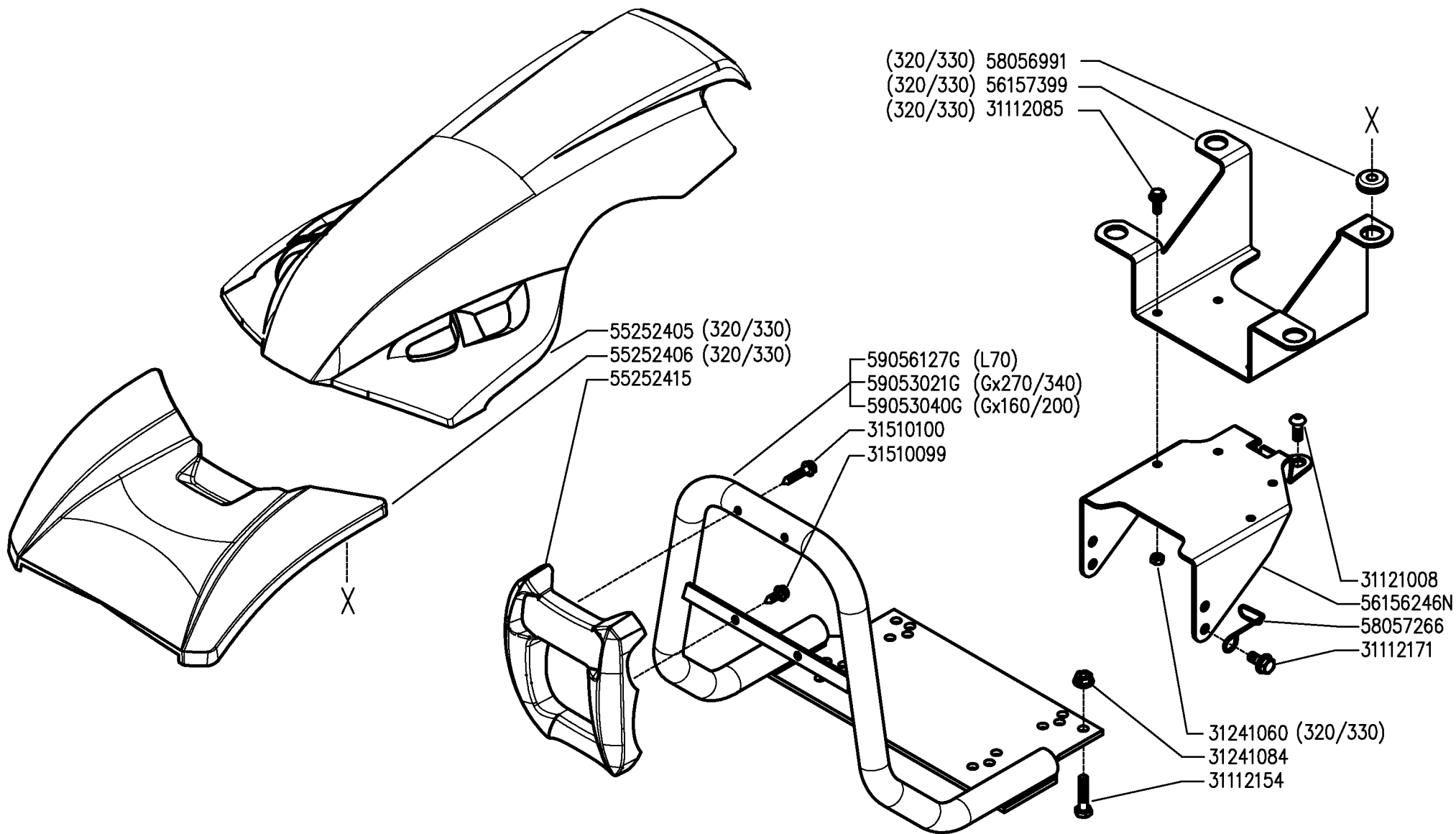


# Inhoudsopgave

Drijfwerk Filter 02 .....	30
Drijfwerkhuis 01 .....	44
Elecktrisch 01 .....	70
Handels & Kabels 00 .....	54
Kappen 03 .....	10
Koppel Asjes 01 .....	34
Koppeling 02 .....	24
Motor Flenzen 01 .....	38
Motorkap 00 .....	80
Powersafe 03 .....	18
Remmen 01 .....	62
Schakelpoken 00 .....	56
Stickers 00 .....	72
Stuur & Kabels 00 .....	52
Stuurboom 00 .....	50
Tandwielen 01 .....	46
Type Stickers 02 .....	78
Wielas 00 .....	48
Wielen & Banden 01 .....	66
Parts Index .....	82

<b>Code</b>	<b>Description</b>	<b>Notes</b>
A01_0_66711	A01_00 - ENGINE PROTECTIONES	
A.01.01.A0003_01	A01_01 - ENGINE PROTECTIONES	
A.01.01.A0003_02	A01_02 - ENGINE PROTECTIONES	
A.01.01.A0003_03	A01_03 - ENGINE PROTECTIONES	
B01_0_66748	B01_00 - POWERSAFE CLUCH CONTROL	
B01_1_72788	B01_01 - POWERSAFE CLUCH CONTROL	
B01_2_77329	B01_02 - POWERSAFE CLUCH CONTROL	
B.01.01.A0001_03	B01_03 - POWERSAFE CLUCH CONTROL	
C01_0_66780	C01_00 - CYLINDER AND POWERSAFE CLUTCH	
C01_1_72820	C01_01 - CYLINDER AND POWERSAFE CLUTCH	
C.01.01.A0001_02	C01_02 - CYLINDER AND POWERSAFE CLUTCH	
D01_0_66794	D01_00 - POWERSAFE FILTER UNIT	
D01_1_77361	D01_01 - POWERSAFE FILTER UNIT	
D.01.01.A0001_02	POWERSAFE FILTER UNIT	
E01_0_66804	E01_00 - POWERSAFE CLUTCH HUB	
E01_1_77371	E01_01 - POWERSAFE CLUTCH HUB	
F01_0_66821	F01_00 - ENGINE FLANGES	
F01_1_77388	F01_01 - ENGINE FLANGES	
H01_0_66868	GEARS	
G01_0_66844	GEARBOX	
G.01.01.A0003_01	GEARBOX	
H.01.01.A0003_01	GEARS	
I01_0_67010	WHEELS AXLE	
J01_0_67154	STEERING COLUMN	
K01_0_67213	HANDLEBAR	
L01_0_67298	HANDLEBAR CONTROLS	
M01_0_67400	CONTROLS	
N01_0_67516	BRAKE	
N.01.01.A0003_01	BRAKE	
P01_0_67539	P01_00 - WHEELS	
P01_1_81340	P01_01 - WHEELS	
Q01_0_67569	Q01_00 - ELECTRIC STARTER	
Q01_1_81859	Q01_01 - ELECTRIC STARTER	
R01_0_67594	R01_00 - STICKERS	

<b>Code</b>	<b>Description</b>	<b>Notes</b>
R02_0_67613	R02_00 - STICKERS	
R02_1_82042	R02_01 - STICKERS	
R.02.01.A0003_02	R02_02 - STICKERS	
S.01.01.A0027_00	S01_00 - ENGINE COVER KIT	



300 serie PS  
 PowerSafe®

ENGINE PROTECTIONS  
 PROTECCIONES MOTOR

PROTEZIONI MOTORE  
 ( 310 / 320 / 330 )

PROTECTIONS MOTEUR  
 MOTORSCHUTZ

DALLA MACCHINA  
 DE LA MAQUINA  
 DE LA MAQUINA  
 FROM THE MACHINE  
 AB DER MASCHINE

N.


A01	Rev.	0
	05/2009	

Pos.	Code	Q.ty	Description	Notes
31112085	31112085	1	SCREW TE M6X16 DIN 6921 8G	
31112154	31112154	1	SCREW TE M8X40 UNI 5739 8G	
31112171	31112171	1	SCREW TE C/F M8X16 DIN 6921	
31121008	31121008	1	SCREW TBCEI M10X16 ISO 7380	
31241060	31241060	1	HEXAGON SELFLOCK NUT M6	
31241084	31241084	1	SELFLOCK NUT M8 6S	
31510099	31510099	1	RIBBED SCREW 6,3X38 UNI 6950	
31510100	31510100	1	RIBBED SCREW 6,3X19 UNI 6950	
55252405	55252405	1	GUARD	
55252406	55252406	1	GUARD	
55252415	55252415	1	GUARD	
56157399	56157399	1	HOLDER	
58056991	58056991	1	CABLE GLAND	
58057266	58057266	1	HOLDER	
56156246	56156246N	1	TUNNEL	
59053021	59053021G	1	COMPLETE BUMPERS	
59053040	59053040G	1	COMPLETE BUMPERS	
59056127	59056127G	1	COMPLETE BUMPERS	

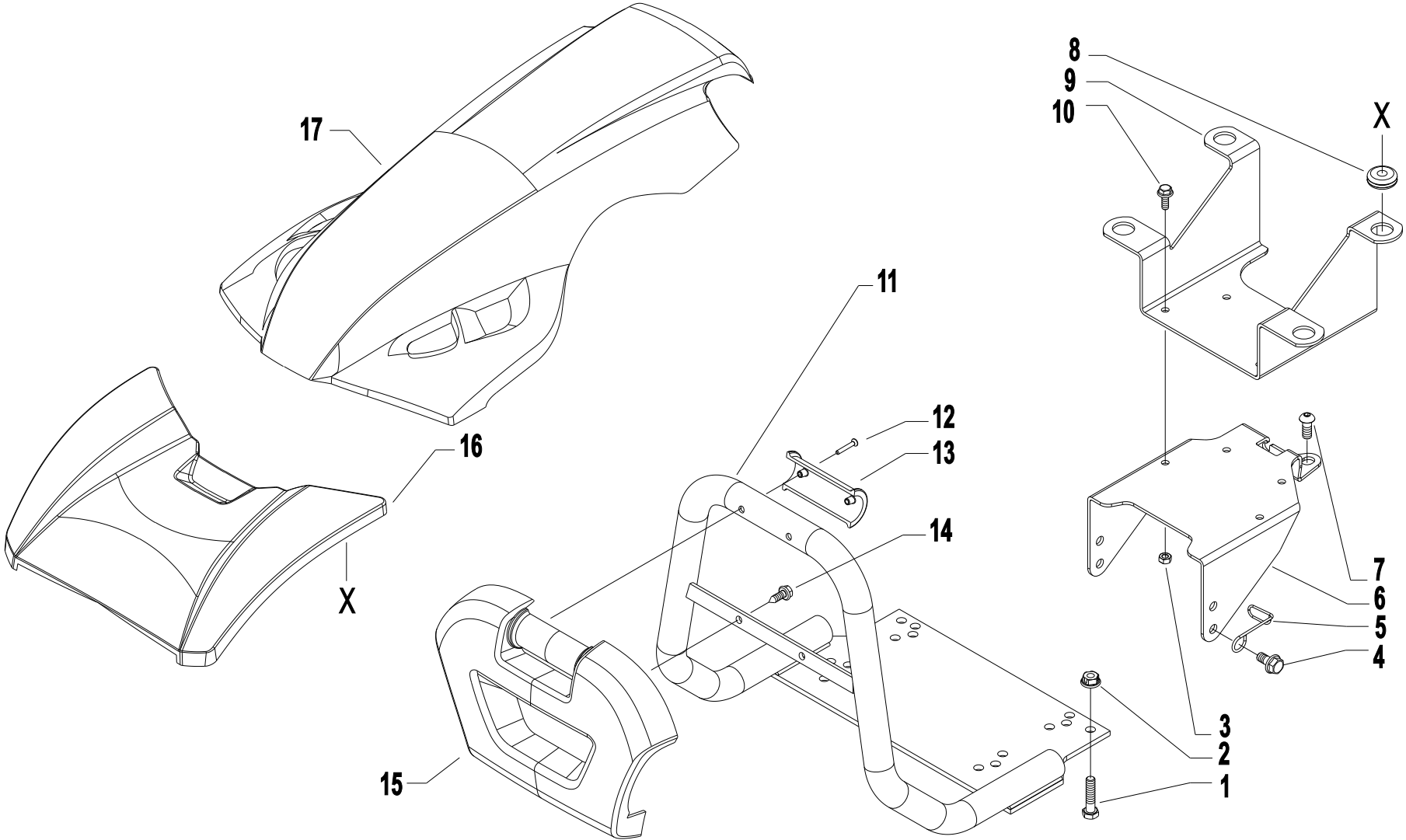


A01\_01 - ENGINE PROTECCIONES

CODE REV

SERIAL START 857706

A.01.01.A0003\_01



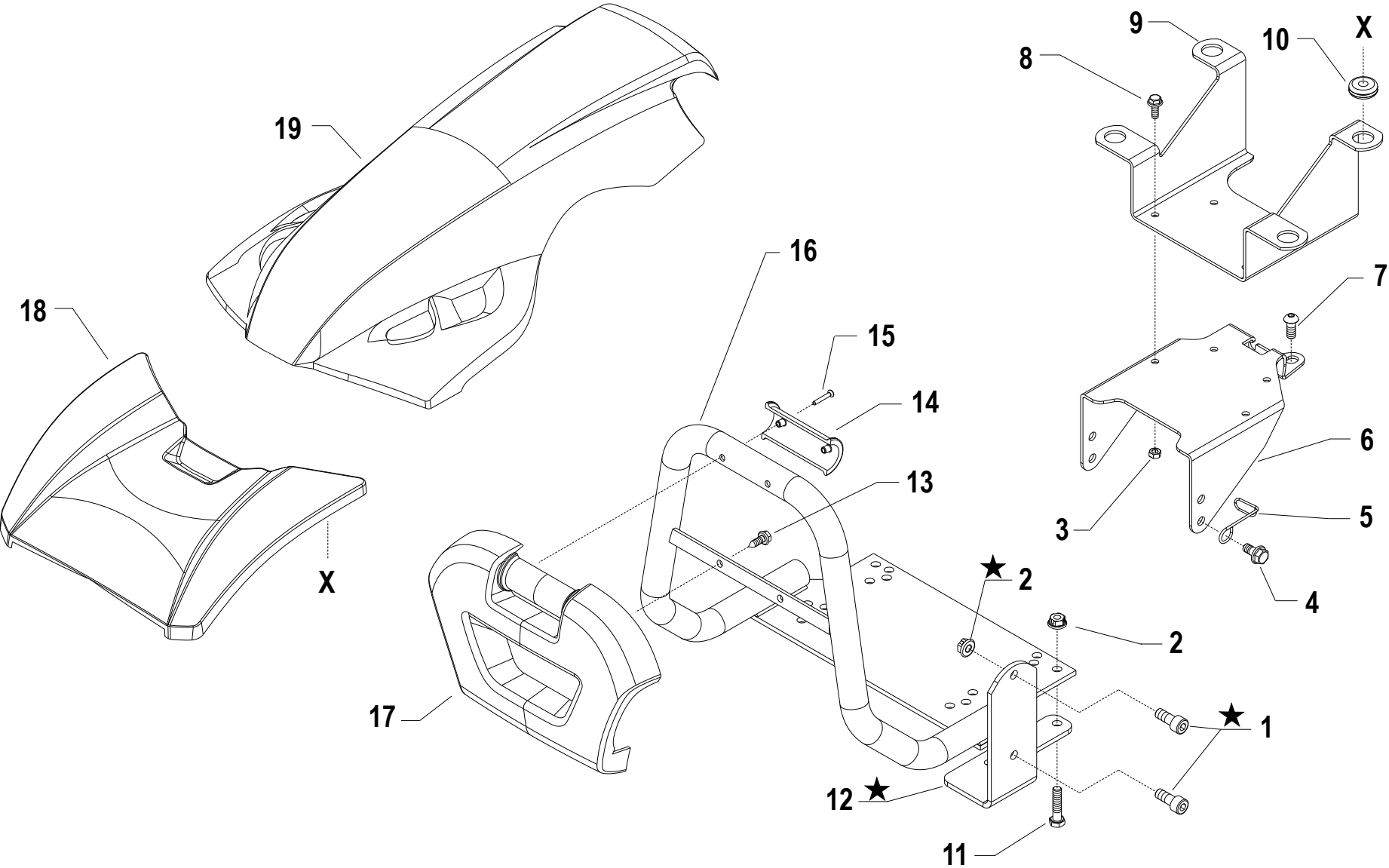
Pos.	Code	Q.ty	Description	Notes
1	31112154	1	SCREW TE M8X40 UNI 5739 8G	
2	31241084	1	SELFLOCK NUT M8 6S	
3	31241060	1	HEXAGON SELFLOCK NUT M6	
4	31112171	1	SCREW TE C/F M8X16 DIN 6921	
5	58057266	1	HOLDER	
6	56156246N	1	TUNNEL	
7	31121008	1	SCREW TBCEI M10X16 ISO 7380	
8	58056991	1	CABLE GLAND	
9	56157399	1	HOLDER	
10	31112085	1	SCREW TE M6X16 DIN 6921 8G	
11	59053021H	1	BUMPER C.15LD-ACT-GX ALUM.	For motors GX270/340
11	59053040H	1	ALU COMPLETE BUMPER GX160-200	For motors GX160/200-EX21
11	59056127H	1	BUMPER FOR 740	For engine L70
12	31100451	1	SCREW 3,5X25	Replaces 55252415
13	55257522	1	HALF BEARING	Replaces 55252415
14	31510100	1	RIBBED SCREW 6,3X19 UNI 6950	Replaces 55252415
15	55252503	1	FREGIO ANT.MC 2010 FERRARI	Replaces 55252415
16	55252406	1	GUARD	
17	55252405	1	GUARD	

SERIAL  
START  
**857706**

**A01\_01 - ENGINE PROTECTIONES**

CODE REV

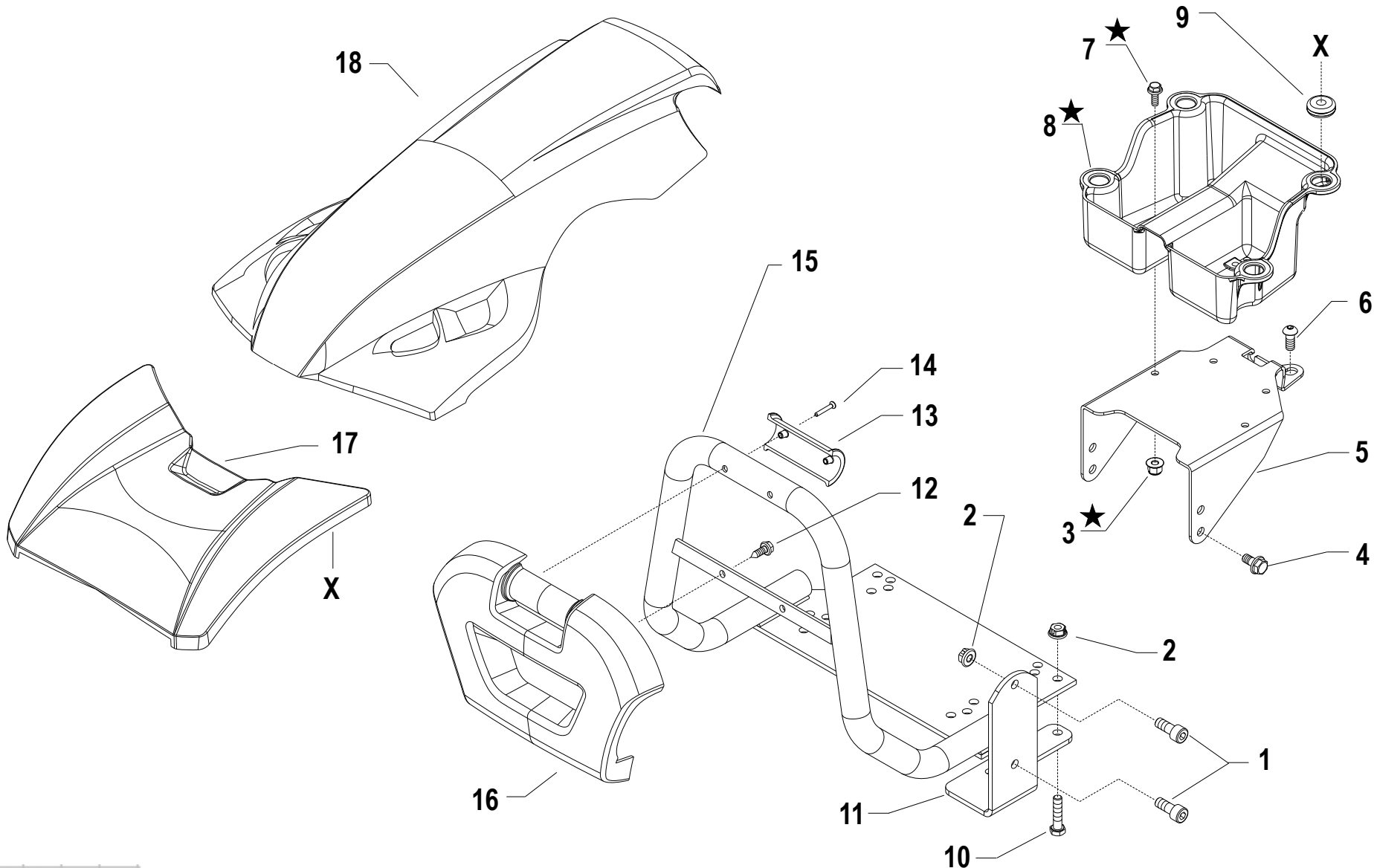
**A.01.01.A0003\_01**



**i** = info - stop 2 sec.   ★ = new part

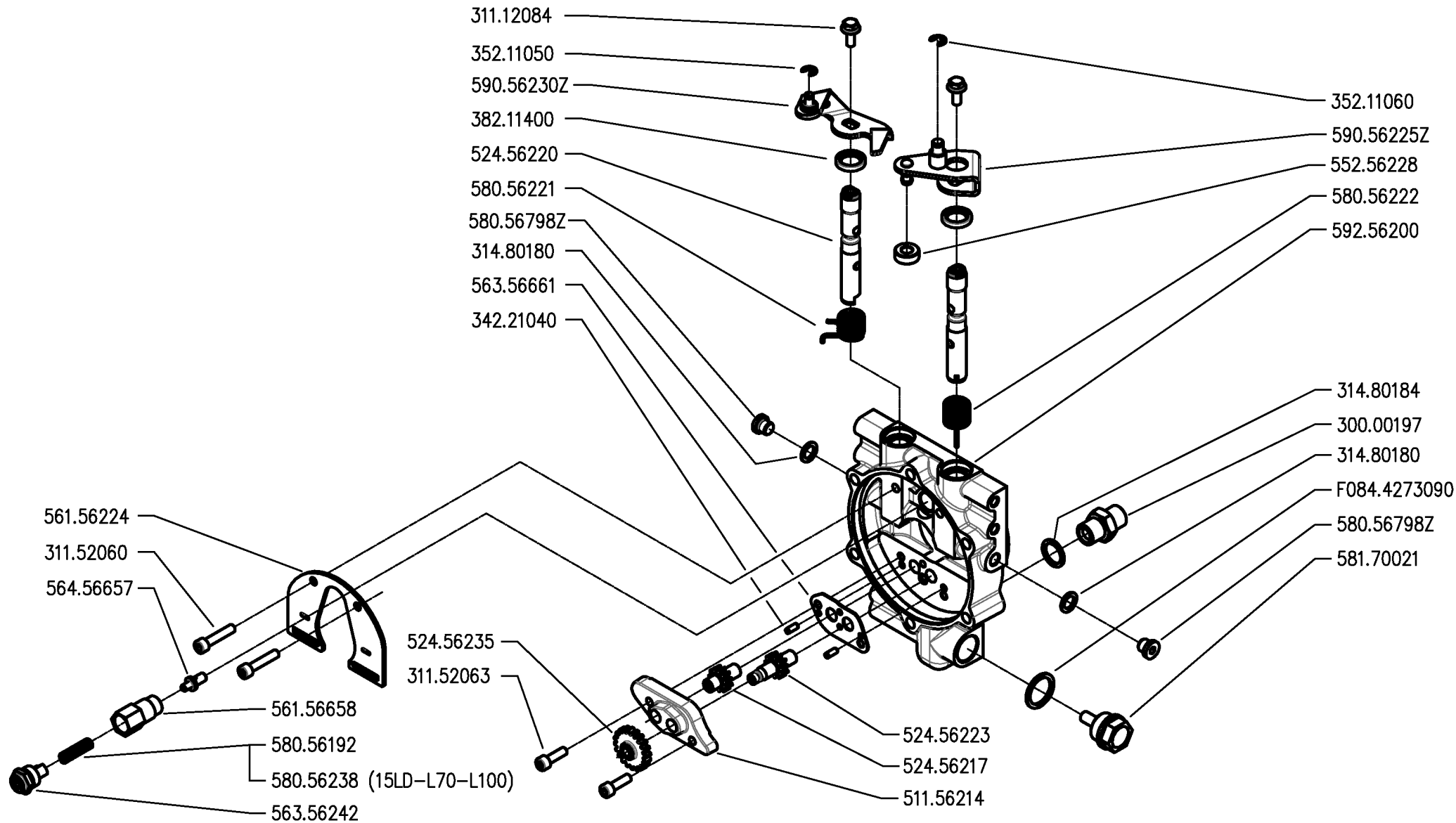


Pos.	Code	Q.ty	Description	Notes
1	31152081		SCREW TCEI M8X20 UNI 5931	KD350
2	31241084		SELFLOCK NUT M8 6S	KD350
3	31241060		HEXAGON SELFLOCK NUT M6	320 - 330
4	31112171		SCREW TE C/F M8X16 DIN 6921	
5	58057266		HOLDER	
6	56156246N		TUNNEL	
7	31121008		SCREW TBCEI M10X16 ISO 7380	
8	31112085		SCREW TE M6X16 DIN 6921 8G	320 - 328 - 330 - 338
9	56157399		HOLDER	320 - 328 - 330 - 338
10	58056991		CABLE GLAND	320 - 328 - 330 - 338
11	31112154		SCREW TE M8X40 UNI 5739 8G	
12	56156136Z		BUMPER FIXING SUPPORT	KD350
13	31510100		RIBBED SCREW 6,3X19 UNI 6950	
14	55252504		HALF BEARING	
15	31100451		SCREW 3,5X25	
16	59053021H		BUMPER C.15LD-ACT-GX ALUM.	GX240 - GX340
16	59053040H		ALU COMPLETE BUMPER GX160-200	GX160 - GX200 - EX21
16	59056127H		BUMPER FOR 740	L70
17	55252503		FREGIO ANT.MC 2010 FERRARI	
18	55252406		GUARD	320 - 328 - 330 - 338
19	55252405		GUARD	320 - 328 - 330 - 338



**i** = info - stop 2 sec. ★ = new part

Pos.	Code	Q.ty	Description	Notes
1	31152081		SCREW TCEI M8X20 UNI 5931	KD350
2	31241084		SELFLOCK NUT M8 6S	KD350
3	31241066		SELFLOCK M6 FL NY DIN 6926	320 - 330
4	31112171		SCREW TE C/F M8X16 DIN 6921	
5	56156246N		TUNNEL	
6	31121008		SCREW TBCEI M10X16 ISO 7380	
7	31112081		SCREW TE C/F M6X20 DIN 6921 8G	
8	58056991		CABLE GLAND	
8	552C1001		COFANETTO SOST.CARENATURA	
10	31112154		SCREW TE M8X40 UNI 5739 8G	
11	56156136Z		BUMPER FIXING SUPPORT	KD350
12	31510100		RIBBED SCREW 6,3X19 UNI 6950	
13	55252504		HALF BEARING	
14	31100451		SCREW 3,5X25	
15	59053021H		BUMPER C.15LD-ACT-GX ALUM.	GX270 - GX340
15	59053040H		ALU COMPLETE BUMPER GX160-200	GX160 - GX200 - EX21
15	59056127H		BUMPER FOR 740	L70
16	55252503		FREGIO ANT.MC 2010 FERRARI	
17	55252406		GUARD	
18	55252405		GUARD	



300 serie PS  
 PowerSafe®

COMANDO FRIZIONE POWERSAFE

POWERSAFE CLUTCH CONTROL  
 CONTROL EMBRAGUE POWERSAFE

CONTRÔLE EMBRAYAGE POWERSAFE  
 REGELUND POWERSAFE KUPPLUNG

DALLA MACCHINA  
 DE LA MAQUINA  
 DE LA MACHINA  
 FROM THE MACHINE  
 AB DER MASCHINE

N.

B01 0

05/2009

Rev.

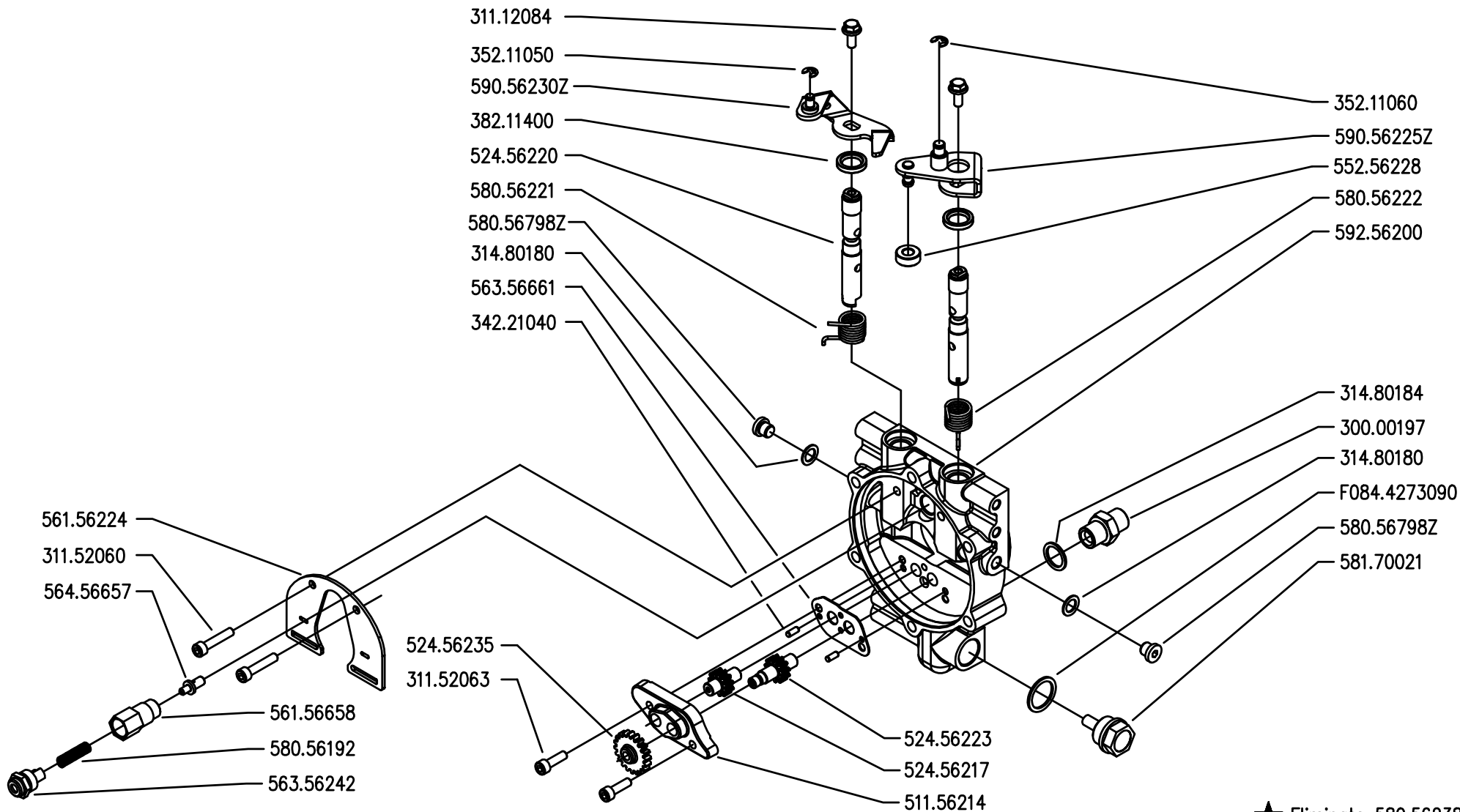
Pos.	Code	Q.ty	Description	Notes
30000197	30000197	1	NIPPLE	
31112084	31112084	1	SCREW TE C/F M6X14 DIN 6921 8G	
31152060	31152060	1	SCREW TCEI M6X30 UNI 5931	
31152063	31152063	1	SCREW TCEI M6X20 UNI 5931	
31480180	31480180	1	COPPER WASHER 10,2x16/1	
31480184	31480184	1	COPPER WASHER 16,7x22/1,5	
34221040	34221040	1	CYLINDRICAL PLUG	
35211050	35211050	1	SEEGER RING	
35211060	35211060	1	SEEGER RING	
38211400	38211400	1	OIL SEAL 14X22X4	
51156214	51156214	1	COVER	
52456217	52456217	1	DRIVEN GEAR	
52456220	52456220	1	DISTRIBUTOR	
52456223	52456223	1	GEAR	
52456235	52456235	1	PUMP GEAR	
55256228	55256228	1	ROLLER	
56156224	56156224	1	SHIELD	
56156658	56156658	1	VALVE SEAT	
56356242	56356242	1	PLUG	
56356661	56356661	1	COUNTERWEIGHT	
56456657	56456657	1	VALVE	
58056192	58056192	1	SPRING	
58056221	58056221	1	SPRING	
58056222	58056222	1	SPRING	
58056238	58056238	1	SPRING	
58170021	58170021	1	PLUG	
59256200	59256200	1	CLUTCH FLANGE	
58056798	58056798Z	1	PLUG	
59056225	59056225Z	1	CLUTCH LEVER	
59056230	59056230Z	1	LEVER	
F0844273	F0844273090	1	GASKET 22X28X1,5 CU 99,5	

SERIAL

**B01\_00 - POWERSAFE CLUCH CONTROL**

CODE REV

**B01\_0\_66748**



★ Eliminato 580.56238



300 serie PS  
 PowerSafe®

COMANDO FRIZIONE POWERSAFE

POWERSAFE CLUTCH CONTROL  
 CONTROL EMBRAGUE POWERSAFE

CONTRÔLE EMBRAYAGE POWERSAFE  
 REGELUND POWERSAFE KUPPLUNG

DALLA MACCHINA  
 DE LA MAQUINA  
 DE LA MACHINA  
 FROM THE MACHINE  
 AB DER MASCHINE



N.

852604

B01

Rev.  
 1

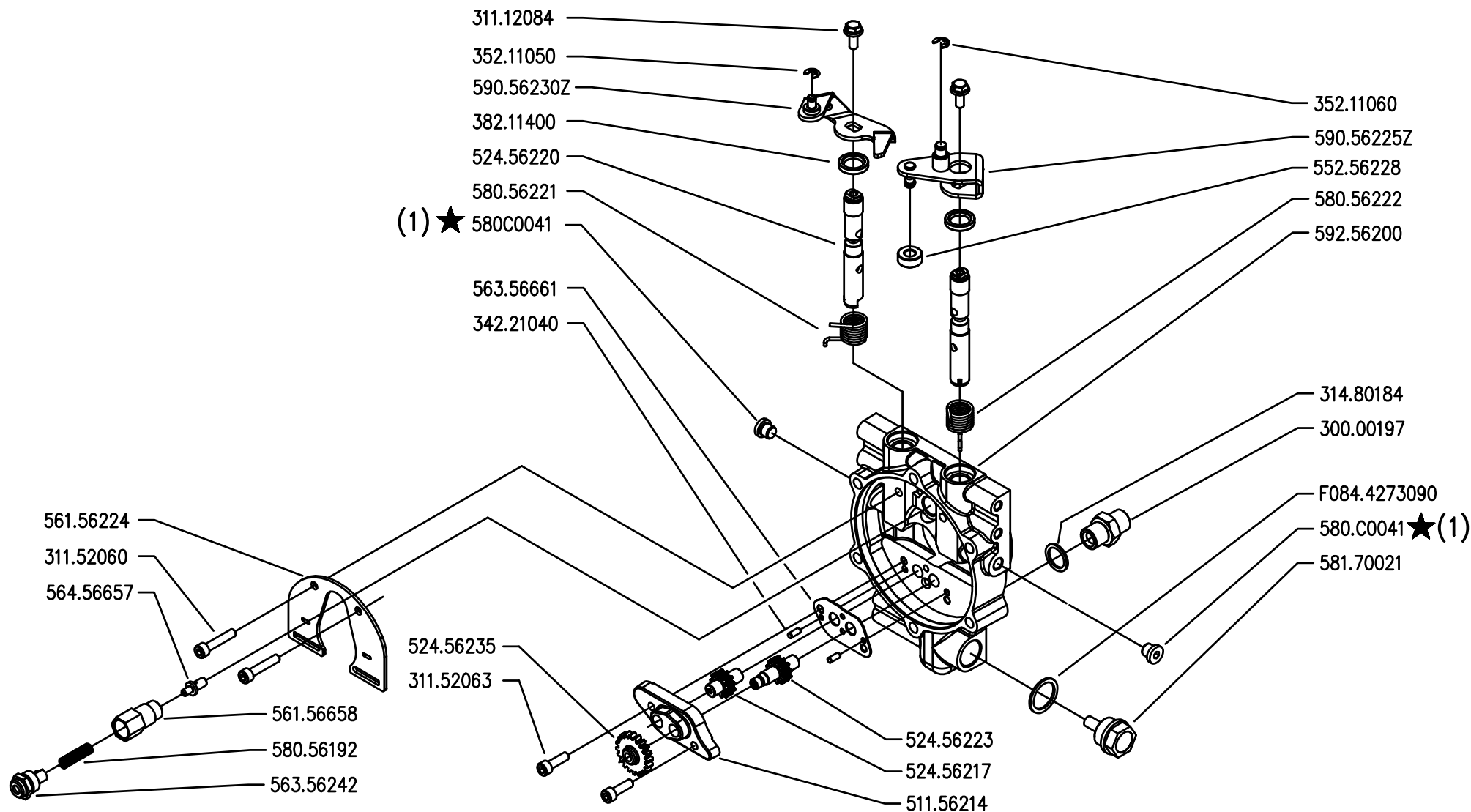
04/2010

Pos.	Code	Q.ty	Description	Notes
30000197	30000197	1	NIPPLE	
31112084	31112084	1	SCREW TE C/F M6X14 DIN 6921 8G	
31152060	31152060	1	SCREW TCEI M6X30 UNI 5931	
31152063	31152063	1	SCREW TCEI M6X20 UNI 5931	
31480180	31480180	1	COPPER WASHER 10,2x16/1	
31480184	31480184	1	COPPER WASHER 16,7x22/1,5	
34221040	34221040	1	CYLINDRICAL PLUG	
35211050	35211050	1	SEEGER RING	
35211060	35211060	1	SEEGER RING	
38211400	38211400	1	OIL SEAL 14X22X4	
51156214	51156214	1	COVER	
52456217	52456217	1	DRIVEN GEAR	
52456220	52456220	1	DISTRIBUTOR	
52456223	52456223	1	GEAR	
52456235	52456235	1	PUMP GEAR	
55256228	55256228	1	ROLLER	
56156224	56156224	1	SHIELD	
56156658	56156658	1	VALVE SEAT	
56356242	56356242	1	PLUG	
56356661	56356661	1	COUNTERWEIGHT	
56456657	56456657	1	VALVE	
58056192	58056192	1	SPRING	
58056221	58056221	1	SPRING	
58056222	58056222	1	SPRING	
58170021	58170021	1	PLUG	
59256200	59256200	1	CLUTCH FLANGE	
58056798	58056798Z	1	PLUG	
59056225	59056225Z	1	CLUTCH LEVER	
59056230	59056230Z	1	LEVER	
F0844273	F0844273090	1	GASKET 22X28X1,5 CU 99,5	

SERIAL  
START  
**852604**

**B01\_01 - POWERSAFE CLUCH CONTROL**

CODE REV  
**B01\_1\_72788**



(1) sostituisce (580.56798Z + 314.80180)



300 serie PS  
PowerSafe®

COMANDO FRIZIONE POWERSAFE

POWERSAFE CLUTCH CONTROL  
CONTROL EMBRAGUE POWERSAFE

CONTRÔLE EMBRAYAGE POWERSAFE  
REGELUND POWERSAFE KUPPLUNG

DALLA MACCHINA  
DE LA MAQUINA  
DE LA MACHINA  
FROM THE MACHINE  
AB DER MASCHINE



N.

AGGIORNAMENTO  
APLAZAMIENTO  
MISE A JOUR  
REVISION  
ANPASSUNG

B01

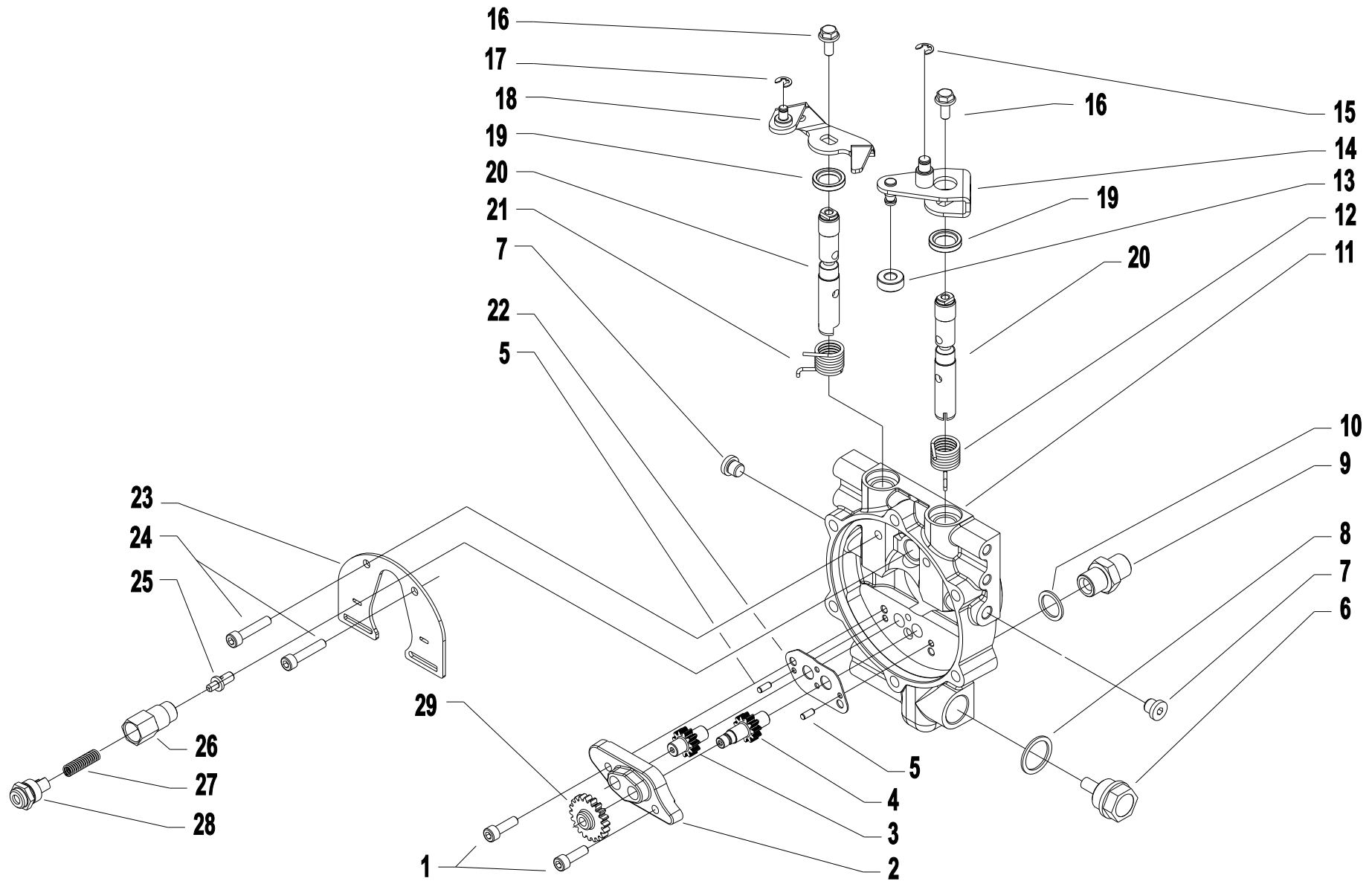
Rev.

2

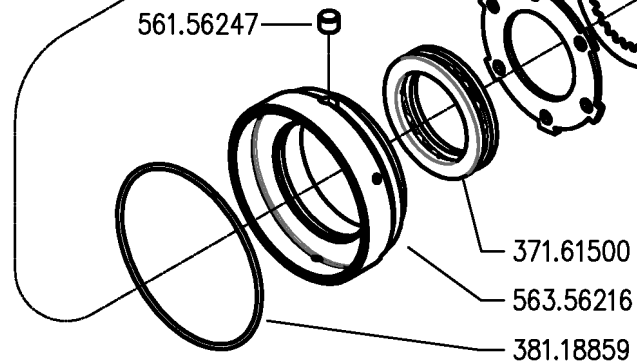
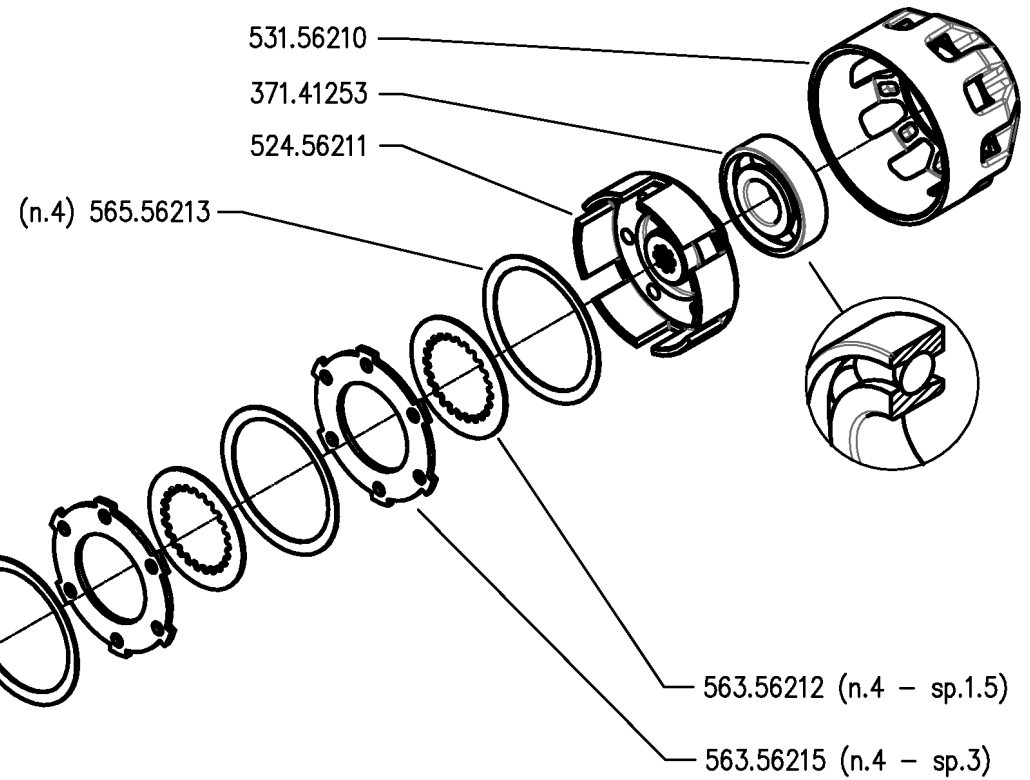
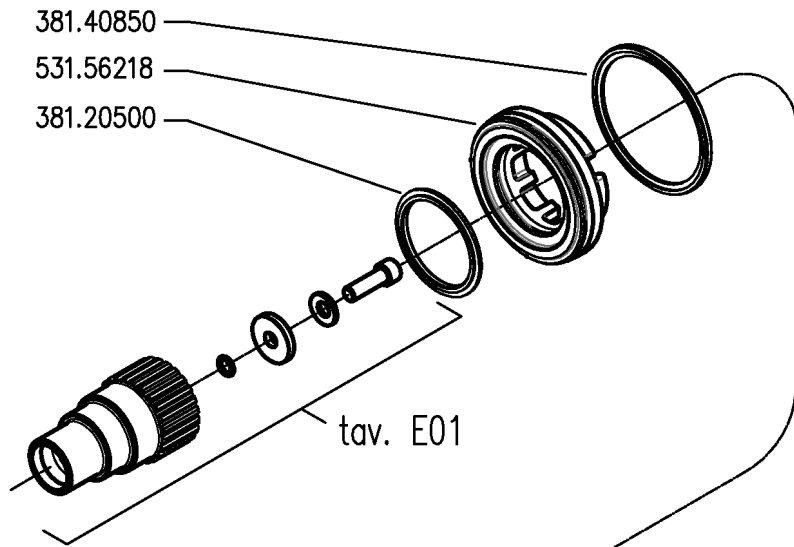
09/2010



Pos.	Code	Q.ty	Description	Notes
31112084	31112084	1	SCREW TE C/F M6X14 DIN 6921 8G	
31152060	31152060	1	SCREW TCEI M6X30 UNI 5931	
31152063	31152063	1	SCREW TCEI M6X20 UNI 5931	
31480184	31480184	1	COPPER WASHER 16,7x22/1,5	
34221040	34221040	1	CYLINDRICAL PLUG	
35211050	35211050	1	SEEGER RING	
35211060	35211060	1	SEEGER RING	
38211400	38211400	1	OIL SEAL 14X22X4	
51156214	51156214	1	COVER	
52456217	52456217	1	DRIVEN GEAR	
52456220	52456220	1	DISTRIBUTOR	
52456223	52456223	1	GEAR	
52456235	52456235	1	PUMP GEAR	
55256228	55256228	1	ROLLER	
56156224	56156224	1	SHIELD	
56156658	56156658	1	VALVE SEAT	
56356242	56356242	1	PLUG	
56356661	56356661	1	COUNTERWEIGHT	
56456657	56456657	1	VALVE	
58056192	58056192	1	SPRING	
58056221	58056221	1	SPRING	
58056222	58056222	1	SPRING	
580C0041	580C0041	1	PLUG	
58170021	58170021	1	PLUG	
59256200	59256200	1	CLUTCH FLANGE	
59056225	59056225Z	1	CLUTCH LEVER	
59056230	59056230Z	1	LEVER	
F0844273	F0844273090	1	GASKET 22X28X1,5 CU 99,5	



Pos.	Code	Q.ty	Description	Notes
1	31152063	1	SCREW TCEI M6X20 UNI 5931	
2	51156214	1	COVER	
3	52456217	1	DRIVEN GEAR	
4	52456223	1	GEAR	
5	34221040	1	CYLINDRICAL PLUG	
6	58170021	1	PLUG	
7	580C0041	1	PLUG	
8	F0844273090	1	GASKET 22X28X1,5 CU 99,5	
9	30000197	1	NIPPLE	
10	31480184	1	COPPER WASHER 16,7x22/1,5	
11	59256200	1	CLUTCH FLANGE	
12	58056222	1	SPRING	
13	55256228	1	ROLLER	
14	59056225Z	1	CLUTCH LEVER	
15	35211060	1	SEEGER RING	
16	31112084	1	SCREW TE C/F M6X14 DIN 6921 8G	
17	35211050	1	SEEGER RING	
18	59056298Z	1	LEVER	Replaces 59056230Z from serial 901289
19	38211400	1	OIL SEAL 14X22X4	
20	52456220	1	DISTRIBUTOR	
21	58056221	1	SPRING	
22	56356661	1	COUNTERWEIGHT	
23	56156224	1	SHIELD	
24	31152060	1	SCREW TCEI M6X30 UNI 5931	
25	56456657	1	VALVE	
26	56156658	1	VALVE SEAT	
27	58056683	1	SPRING	Replaces 58056192 from serial number 883609
28	56356242	1	PLUG	
29	52456235	1	PUMP GEAR	



300 serie PS  
PowerSafe®

CILINDRO E FRIZIONE POWERSAFE

CYLINDER AND POWERSAFE CLUTCH

CILINDRO Y EMBRAGUE POWERSAFE

CYLINDER ET EMBRAYAGE POWERSAFE

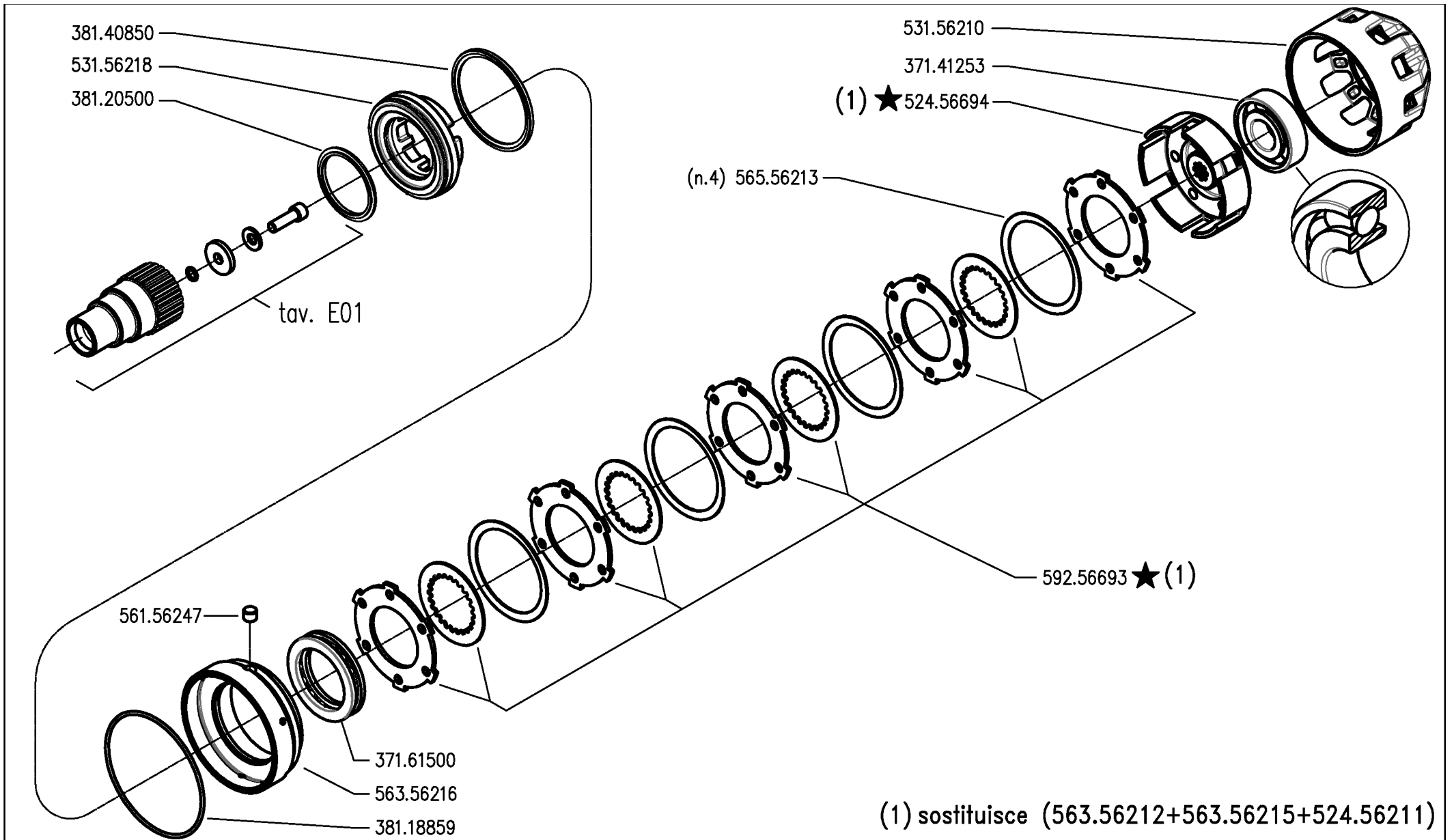
ZILINDER UND POWERSAFE KUPPLUNG

DALLA MACCHINA  
DE LA MAQUINA  
DE LA MACHINA  
FROM THE MACHINE  
AB DER MASCHINE

N.


C01	Rev.
	0
05/2009	

Pos.	Code	Q.ty	Description	Notes
37141253	37141253	1	BEARING	
37161500	37161500	1	BEARING	
38118859	38118859	1	O-RING	
38120500	38120500	1	RING	
38140850	38140850	1	RING	
52456211	52456211	1	CLUTCH HOUSING	
53156210	53156210	1	SUMP	
53156218	53156218	1	PISTON	
56156247	56156247	1	PIN	
56356212	56356212	1	DISC	
56356215	56356215	1	DISC	
56356216	56356216	1	RING	
56556213	56556213	1	SPRING	



300 serie PS  
PowerSafe®

CILINDRO E FRIZIONE POWERSAFE

CYLINDER AND POWERSAFE CLUTCH

CILINDRO Y EMBRAGUE POWERSAFE

CYLINDER ET EMBRAYAGE POWERSAFE

ZILINDER UND POWERSAFE KUPPLUNG

DALLA MACCHINA  
DE LA MAQUINA  
DE LA MACHINA  
FROM THE MACHINE  
AB DER MASCHINE

★ N.

852604

C01

04/2010

Rev.

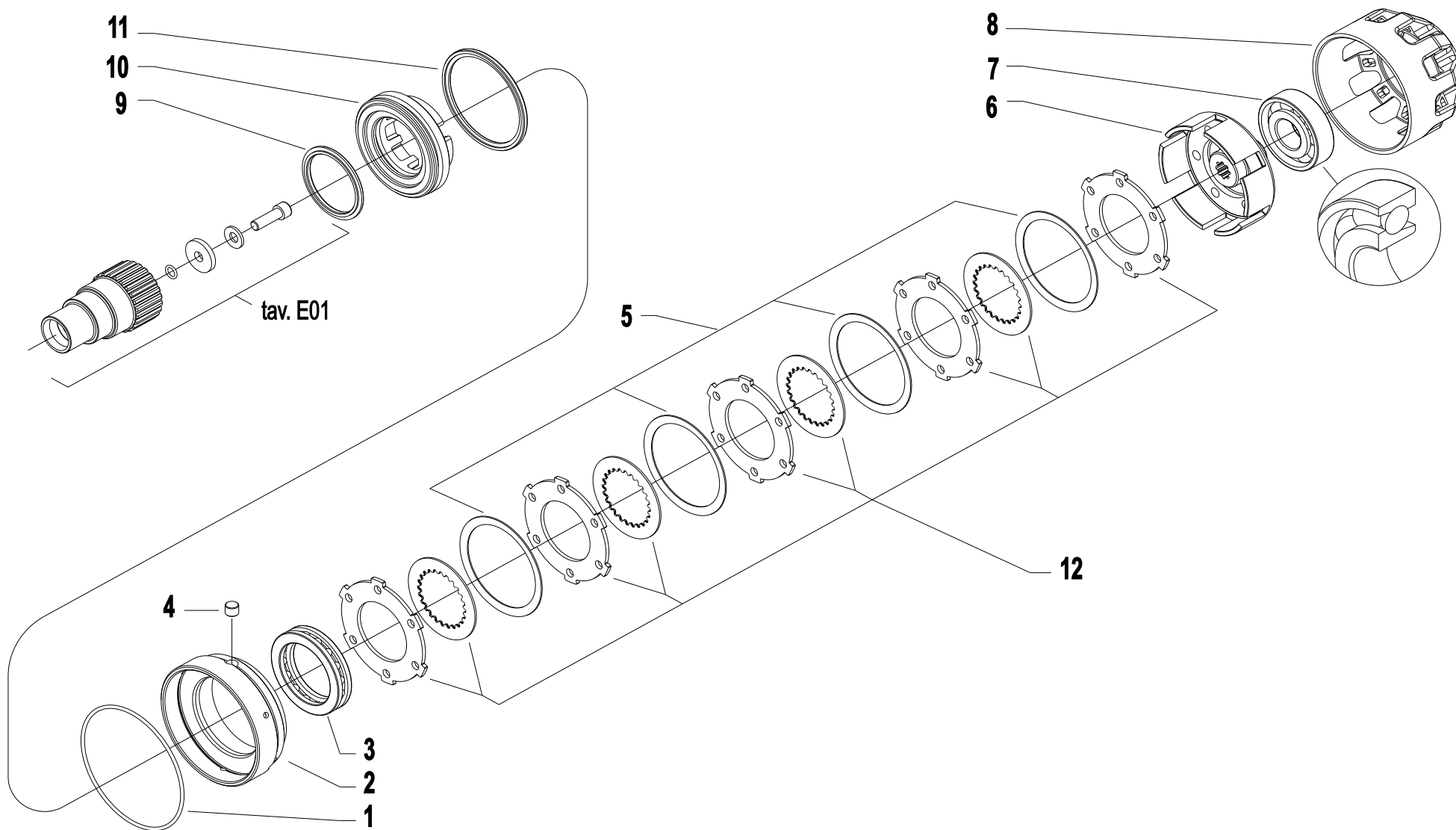
1

Pos.	Code	Q.ty	Description	Notes
37141253	37141253	1	BEARING	
37161500	37161500	1	BEARING	
38118859	38118859	1	O-RING	
38120500	38120500	1	RING	
38140850	38140850	1	RING	
52456694	52456694	1	FRICTION BELL	
53156210	53156210	1	SUMP	
53156218	53156218	1	PISTON	
56156247	56156247	1	PIN	
56356216	56356216	1	RING	
56556213	56556213	1	SPRING	
59256693	59256693	1	9 DISC CLUTCH	

SERIAL  
START  
**852604**

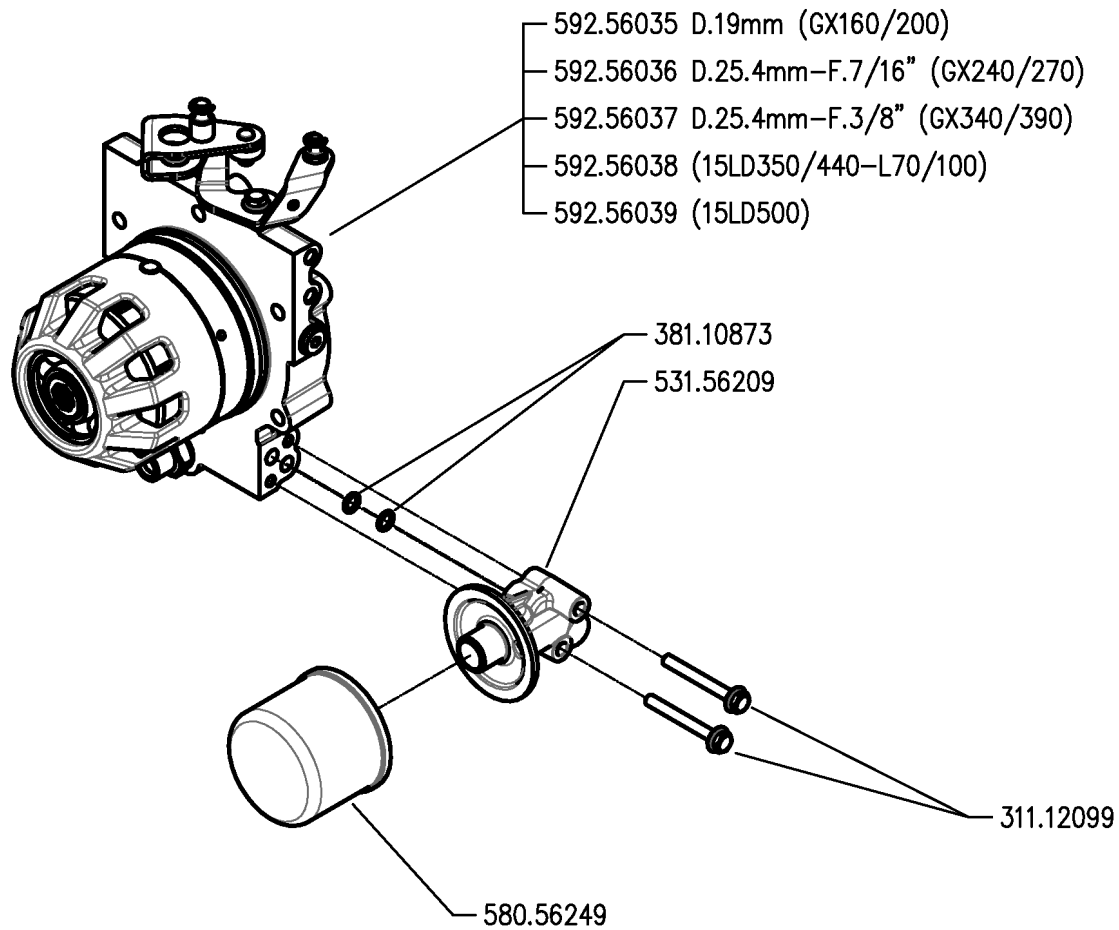
**C01\_01 - CYLINDER AND POWERSAFE CLUTCH**

CODE REV  
**C01\_1\_72820**





Pos.	Code	Q.ty	Description	Notes
1	38118859	1	O-RING	
2	56356216	1	RING	
3	37161500	1	BEARING	
4	56156247	1	PIN	
5	56556213	1	SPRING	
6	52456694	1	FRICTION BELL	Replaces 56356212 + 56356215 + 52456211
7	37141253	1	BEARING	
8	53156210	1	SUMP	
9	38120500	1	RING	
10	53156218	1	PISTON	
11	38140850	1	RING	
12	59256693	1	9 DISC CLUTCH	Replaces 56356212 + 56356215 + 52456211



300 serie PS  
**PowerSafe®**

GRUPPO FILTRO POWERSAFE

POWERSAFE FILTER UNIT

FILTRO POWERSAFE

FILTRE POWERSAFE

POWERSAFE FILTER

DALLA MACCHINA  
 DE LA MAQUINA  
 DE LA MACHINA  
 FROM THE MACHINE  
 AB DER MASCHINE

N.

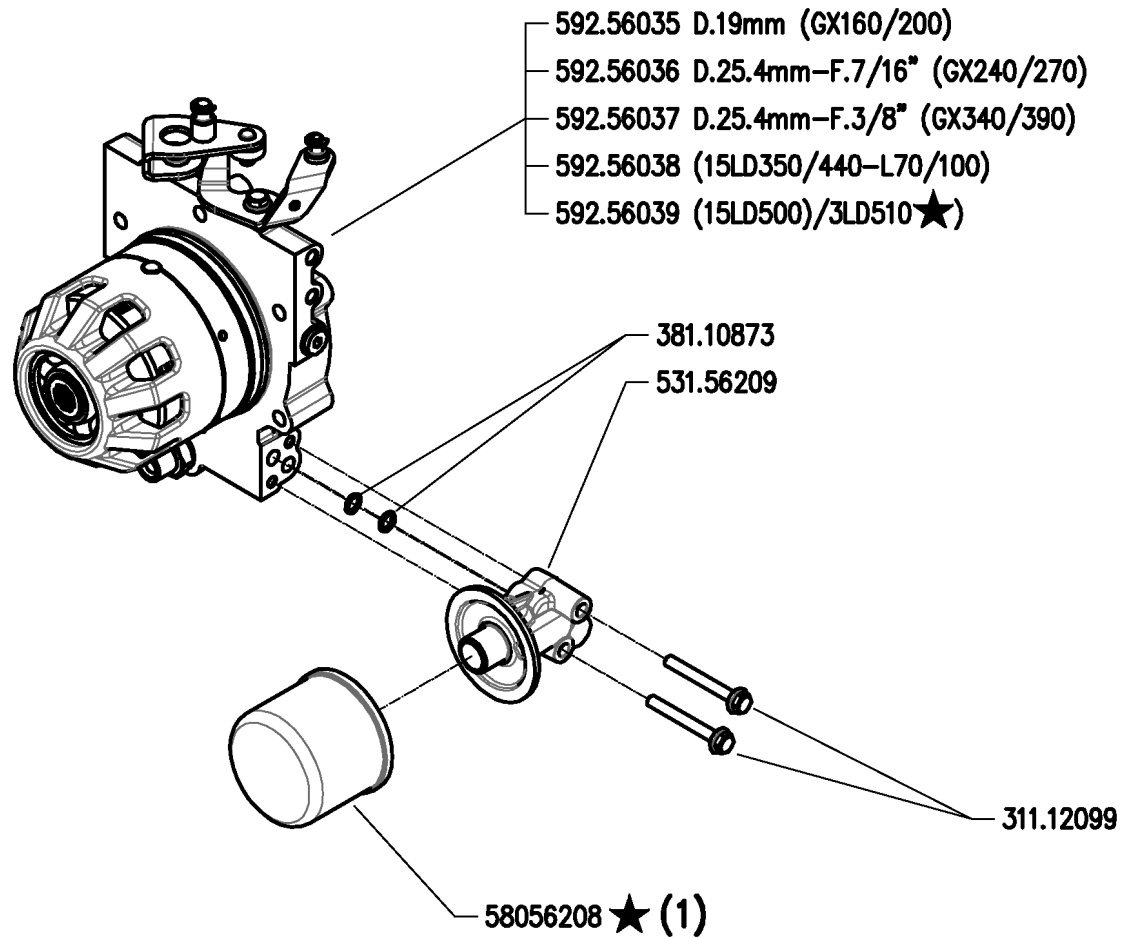
D01

Rev.

0

05/2009

Pos.	Code	Q.ty	Description	Notes
31112099	31112099	1	SCREW TE C/F M6X50 DIN 6921 8G	
38110873	38110873	1	O-RING	
53156209	53156209	1	CONNECTION	
58056249	58056249	1	FILTER	
59256035	59256035	1	POWERSAFE CLUTCH ASSY Q19	
59256036	59256036	1	POWERSAFE CLUTCH	
59256037	59256037	1	CLUTCH FOR POWERSAFE Q25.4 (3/8)	
59256038	59256038	1	POWERSAFE CLUTCH	
59256039	59256039	1	POWERSAFE CLUTCH ASSY	



(1) sostituisce 580.56249



300 serie PS  
PowerSafe®

GRUPPO E FILTRO POWERSAFE

POWERSAFE FILTER AND UNIT  
FILTRO POWERSAFE

FILTRE POWERSAFE  
POWERSAFE FILTER

DALLA MACCHINA  
DE LA MAQUINA  
DE LA MACHINA  
FROM THE MACHINE  
AB DER MASCHINE

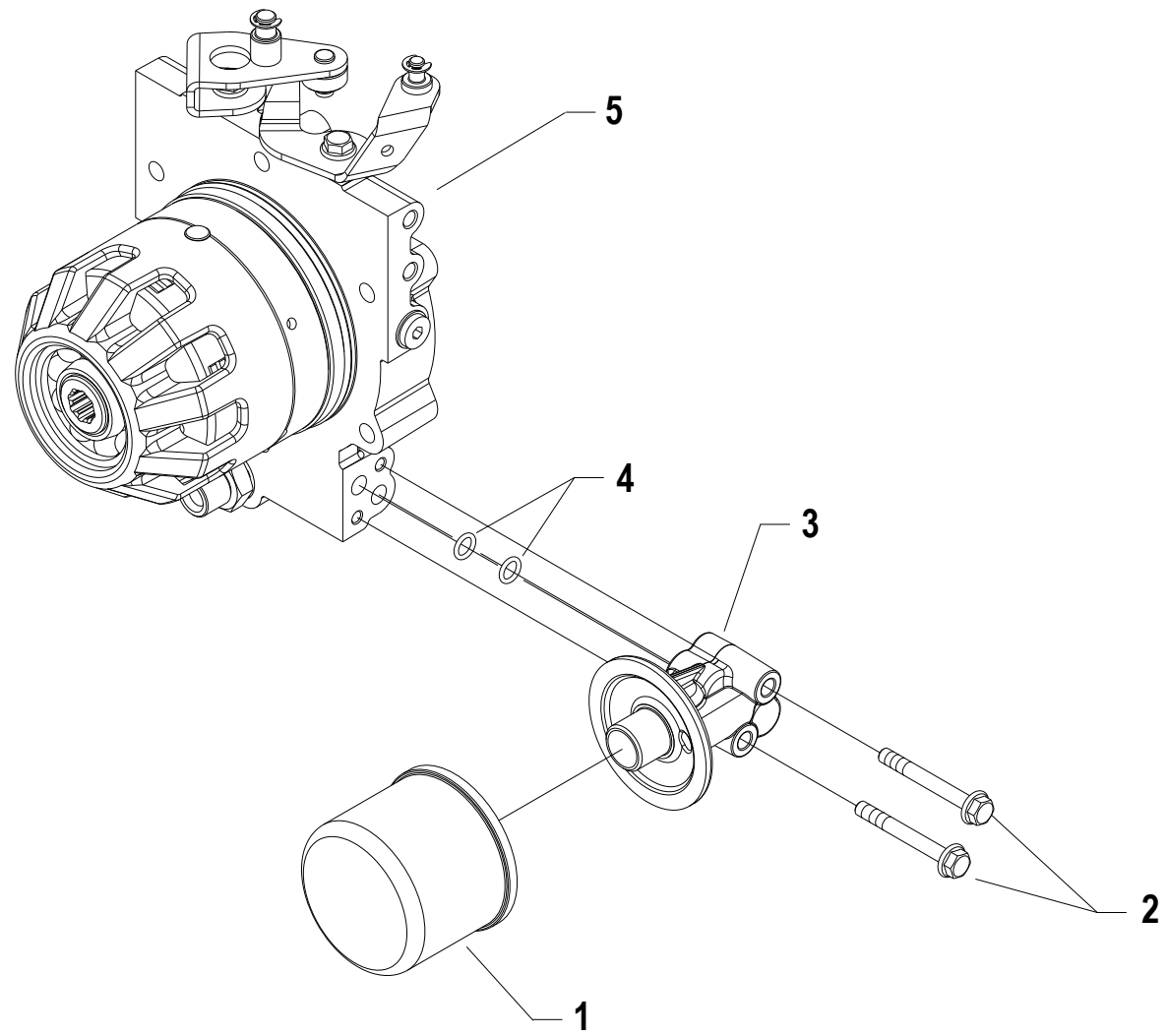
★ N.

AGGIORNAMENTO  
APLAZAMIENTO  
MISE A JOUR  
REVISION  
ANPASSUNG

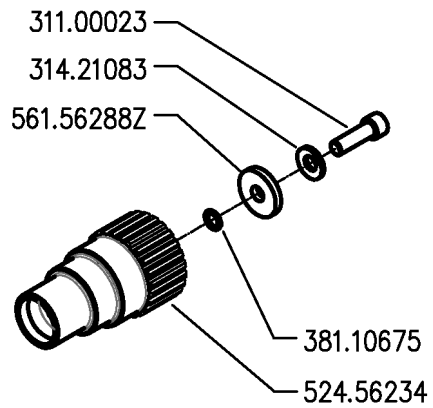
Rev. 1  
D01  
11/2010

<b>Pos.</b>	<b>Code</b>	<b>Q.ty</b>	<b>Description</b>	<b>Notes</b>
31112099	31112099	1	SCREW TE C/F M6X50 DIN 6921 8G	
38110873	38110873	1	O-RING	
53156209	53156209	1	CONNECTION	
58056208	58056208	1	FILTER	
59256035	59256035	1	POWERSAFE CLUTCH ASSY Q19	
59256036	59256036	1	POWERSAFE CLUTCH	
59256037	59256037	1	CLUTCH FOR POWERSAFE Q25.4 (3/8)	
59256038	59256038	1	POWERSAFE CLUTCH	
59256039	59256039	1	POWERSAFE CLUTCH ASSY	

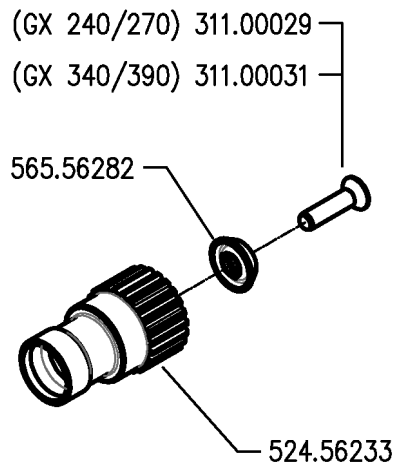
**POWERSAFE FILTER UNIT**



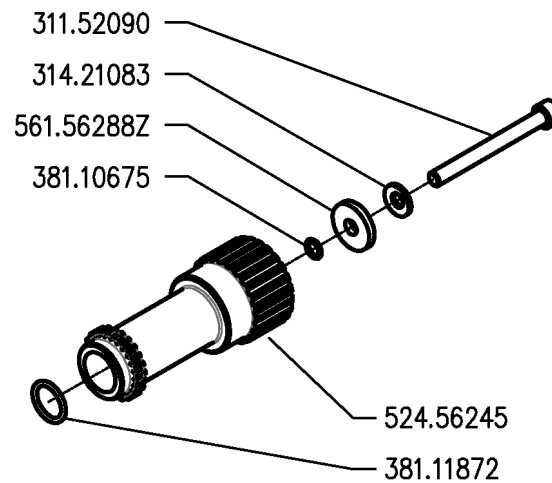
Pos.	Code	Q.ty	Description	Notes
1	58056208	1	FILTER	
2	31112099	1	SCREW TE C/F M6X50 DIN 6921 8G	
3	53156209	1	CONNECTION	
3	53156659	1	CONNECTION	Powersafe EasyDrive
4	38110873	1	O-RING	
5	59256035	1	POWERSAFE CLUTCH ASSY Q19	For motors GX160/200 - EX21
5	59256036	1	POWERSAFE CLUTCH	For motors GX240/270
5	59256037	1	CLUTCH FOR POWERSAFE Q25.4 (3/8)	For motors GX340/390 - EX35
5	59256038	1	POWERSAFE CLUTCH	For motors 15LD350/440-L70/100
5	59256039	1	POWERSAFE CLUTCH ASSY	For motors 15LD500/3LD510



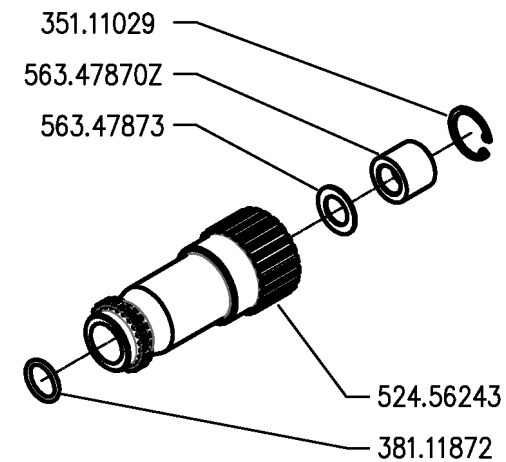
GX 160-200



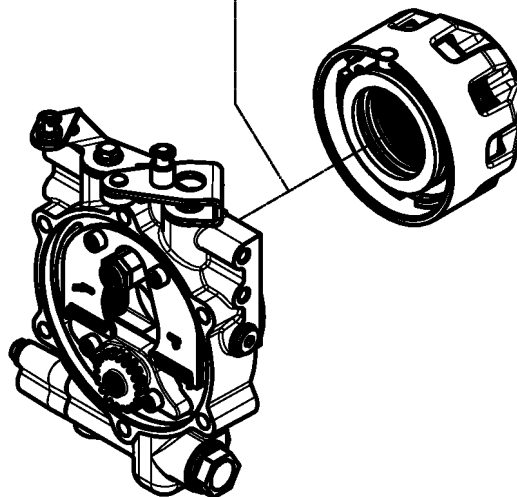
GX 240-270-340-390



15LD350-440 - L70-100



15LD500



300 serie PS  
PowerSafe®

MOZZI FRIZIONE POWERSAFE

POWERSAFE CLUTCH HUBS

CUBOS EMBRAGUE POWERSAFE

MOYEUR EMBRAYAGE POWERSAFE

NABEN POWERSAFE KUPPLUNG

DALLA MACCHINA  
DE LA MAQUINA  
DE LA MACHINA  
FROM THE MACHINE  
AB DER MASCHINE

N.

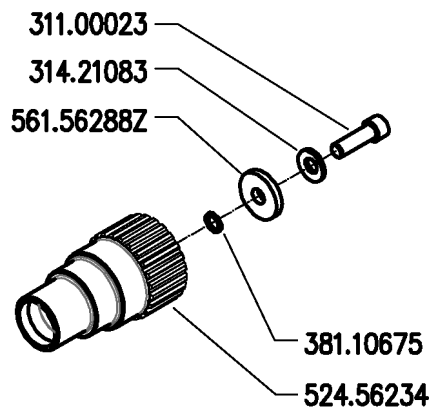

E01

05/2009

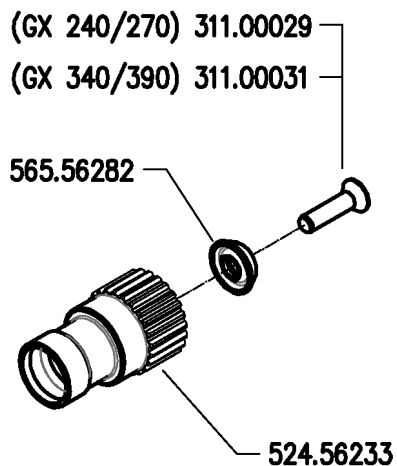
Rev.  
0



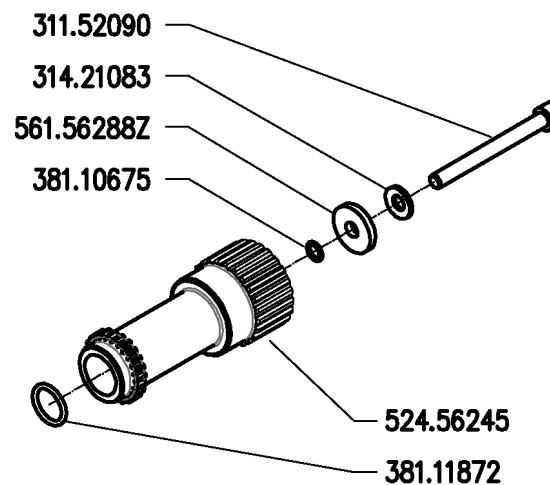
Pos.	Code	Q.ty	Description	Notes
31100023	31100023	1	SCREW 5/16-24	
31100029	31100029	1	SCREW TSVEI 7/16-20X1 1/2 UNF8G	
31100031	31100031	1	SCREW TSVEI 3/8-24X1 1/2 UNF 8G	
31152090	31152090	1	SCREW TCEI M8x80 UNI5931	
31421083	31421083	1	WASHER	
35111029	35111029	1	SEEGER RING	
38110675	38110675	1	O-RING	
38111872	38111872	1	O-RING	
52456233	52456233	1	HUB	
52456234	52456234	1	HUB	
52456243	52456243	1	HUB	
52456245	52456245	1	HUB	
56347873	56347873	1	WASHER	
56556282	56556282	1	WASHER D.25,4	
56156288	56156288Z	1	SPECIAL WASHER SP.4	
56347870	56347870Z	1	SPECIAL NUT	



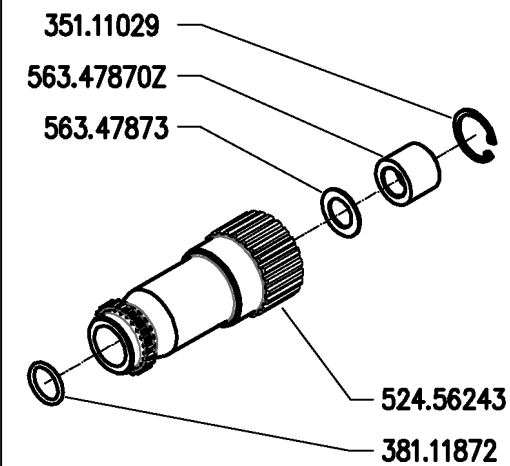
GX 160-200



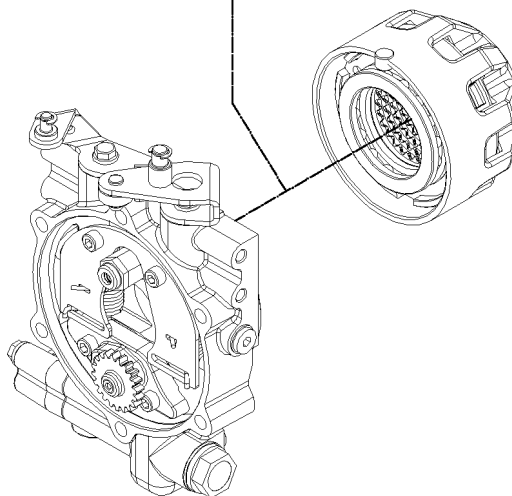
GX 240-270-340-390



15LD350-440 - L70-100



15LD500-3LD510 ★



300 serie PS  
PowerSafe®

MOZZI FRIZIONE POWERSAFE

POWERSAFE CLUTCH HUBS  
CUBOS EMBRAGUE POWERSAFE

MOYEURS EMBRAYAGE POWERSAFE  
NABEN POWERSAFE KUPPLUNG

DALLA MACCHINA  
DE LA MAQUINA  
DE LA MACHINA  
FROM THE MACHINE  
AB DER MASCHINE



AGGIORNAMENTO  
APLAZAMIENTO  
MISE A JOUR  
REVISION  
ANPASSUNG

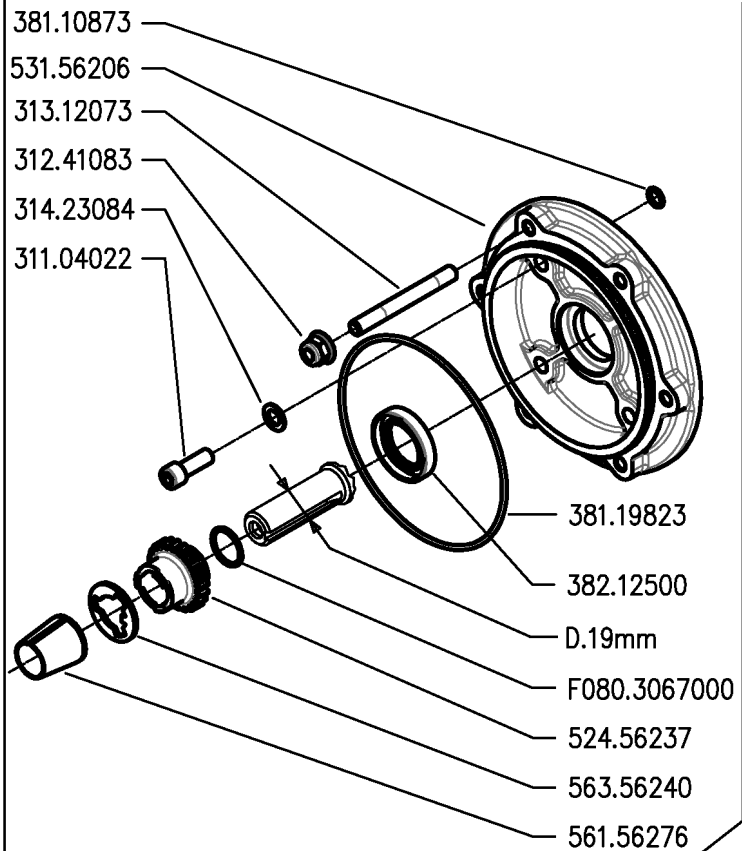
E01

11/2010

Rev.

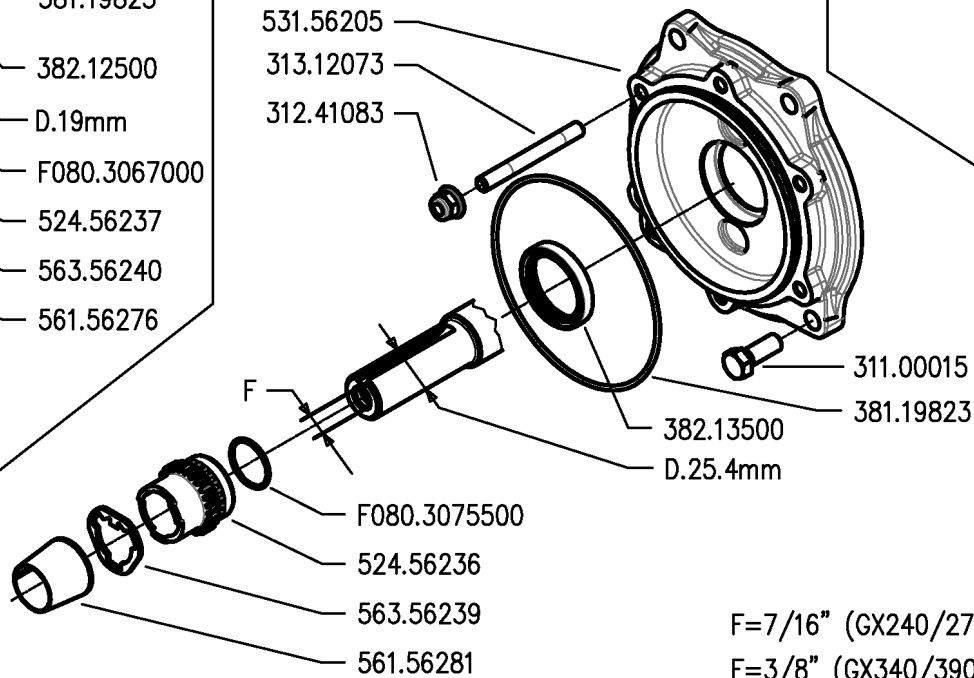
1

Pos.	Code	Q.ty	Description	Notes
31100023	31100023	1	SCREW 5/16-24	
31100029	31100029	1	SCREW TSVEI 7/16-20X1 1/2 UNF8G	
31100031	31100031	1	SCREW TSVEI 3/8-24X1 1/2 UNF 8G	
31152090	31152090	1	SCREW TCEI M8x80 UNI5931	
31421083	31421083	1	WASHER	
35111029	35111029	1	SEEGER RING	
38110675	38110675	1	O-RING	
38111872	38111872	1	O-RING	
52456233	52456233	1	HUB	
52456234	52456234	1	HUB	
52456243	52456243	1	HUB	
52456245	52456245	1	HUB	
56347873	56347873	1	WASHER	
56556282	56556282	1	WASHER D.25,4	
56156288	56156288Z	1	SPECIAL WASHER SP.4	
56347870	56347870Z	1	SPECIAL NUT	

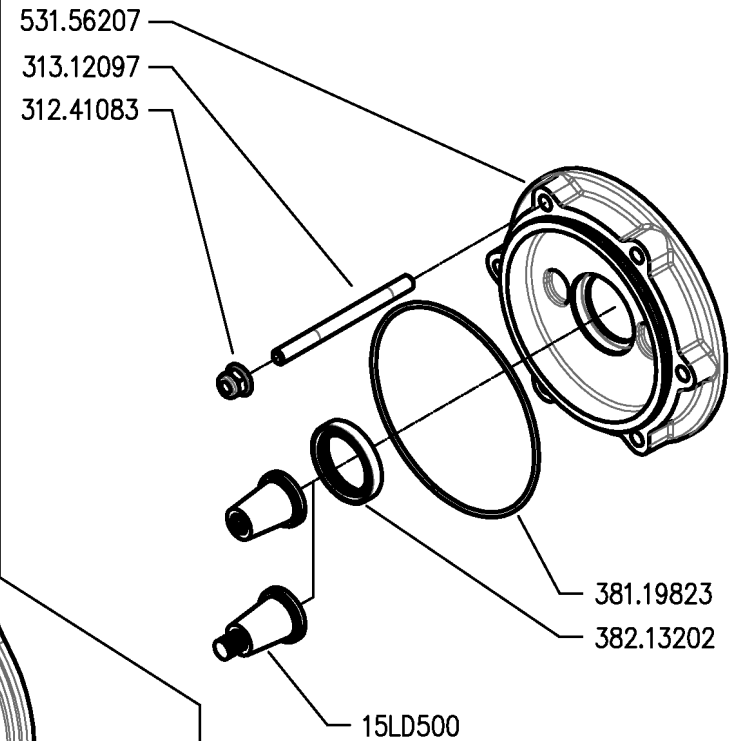


GX 160-200

GX 240-270-340-390



F=7/16" (GX240/270)  
F=3/8" (GX340/390)



15LD350-440-500  
L70-100



300 serie PS  
PowerSafe®

ENGINE FLANGES  
BRIDAS MOTOR

FLANGIE MOTORE

BRIDES MOTEUR  
MOTOR FLANSCH

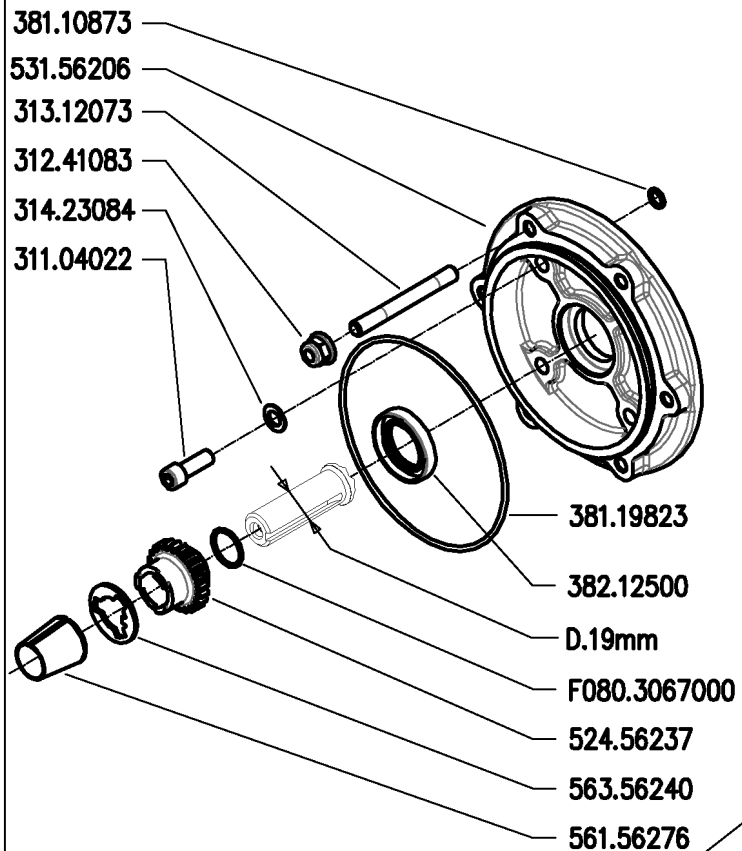
DALLA MACCHINA  
DE LA MAQUINA  
DE LA MACHINA  
FROM THE MACHINE  
AB DER MASCHINE

N.

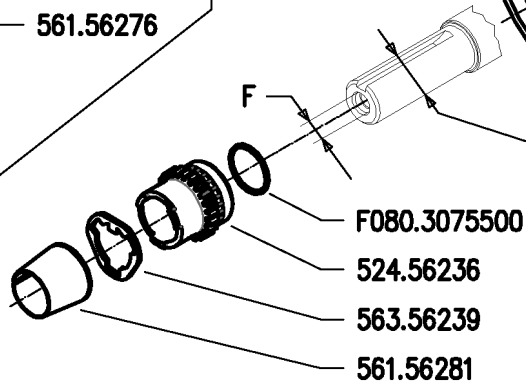
F01 0

05/2009

Pos.	Code	Q.ty	Description	Notes
31100015	31100015	1	SCREW TE 3/8X1	
31104022	31104022	1	SCREW TCEI 5/16X7/8 UNF 12K	
31241083	31241083	1	SELFLOCK NUT M8	
31312073	31312073	1	STUD BOLT	
31312097	31312097	1	STUD BOLT	
31423084	31423084	1	SPRING WASHER 8,4	
38110873	38110873	1	O-RING	
38119823	38119823	1	O-RING	
38212500	38212500	1	OIL SEAL 25X40X7	
38213202	38213202	1	OIL SEAL 32X45X7	
38213500	38213500	1	OIL SEAL 35X47X7	
52456236	52456236	1	PUMP GEAR	
52456237	52456237	1	PUMP GEAR	
53156205	53156205	1	ENGINE FLANGE	
53156206	53156206	1	ENGINE FLANGE	
53156207	53156207	1	ENGINE FLANGE	
56156276	56156276	1	SLEEVE	
56156281	56156281	1	CENTRING BUSH	
56356239	56356239	1	FEEDER Q25	
56356240	56356240	1	TRANSMISSION	
F0803067	F0803067000	1	O-RING	
F0803075	F0803075500	1	O-RING	



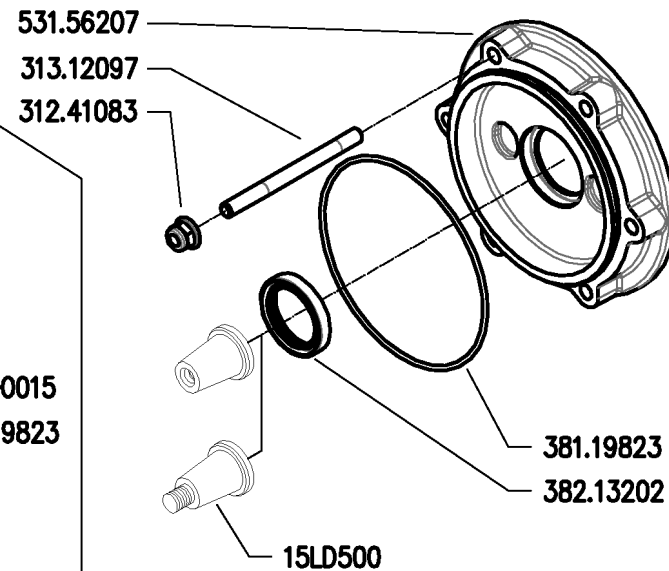
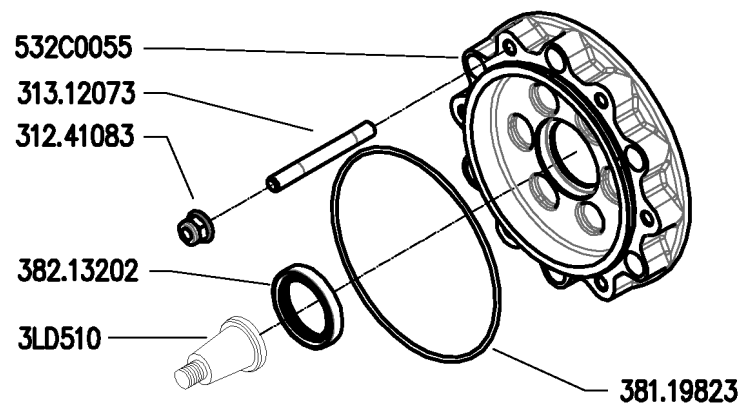
GX 160-200



GX 240-270-340-390

F=7/16" (GX240/270)  
F=3/8" (GX340/390)

★ 3LD510



15LD350-440-500  
L70-100



300 serie PS  
PowerSafe®

ENGINE FLANGES

BRIDAS MOTOR

FLANGIE MOTORE

BRIDES MOTEUR

MOTOR FLANSCH

DALLA MACCHINA  
DE LA MAQUINA  
DE LA MACHINA  
FROM THE MACHINE  
AB DER MASCHINE

★ N.

AGGIORNAMENTO  
APLAZAMIENTO  
MISE A JOUR  
REVISION  
ANPASSUNG

F01

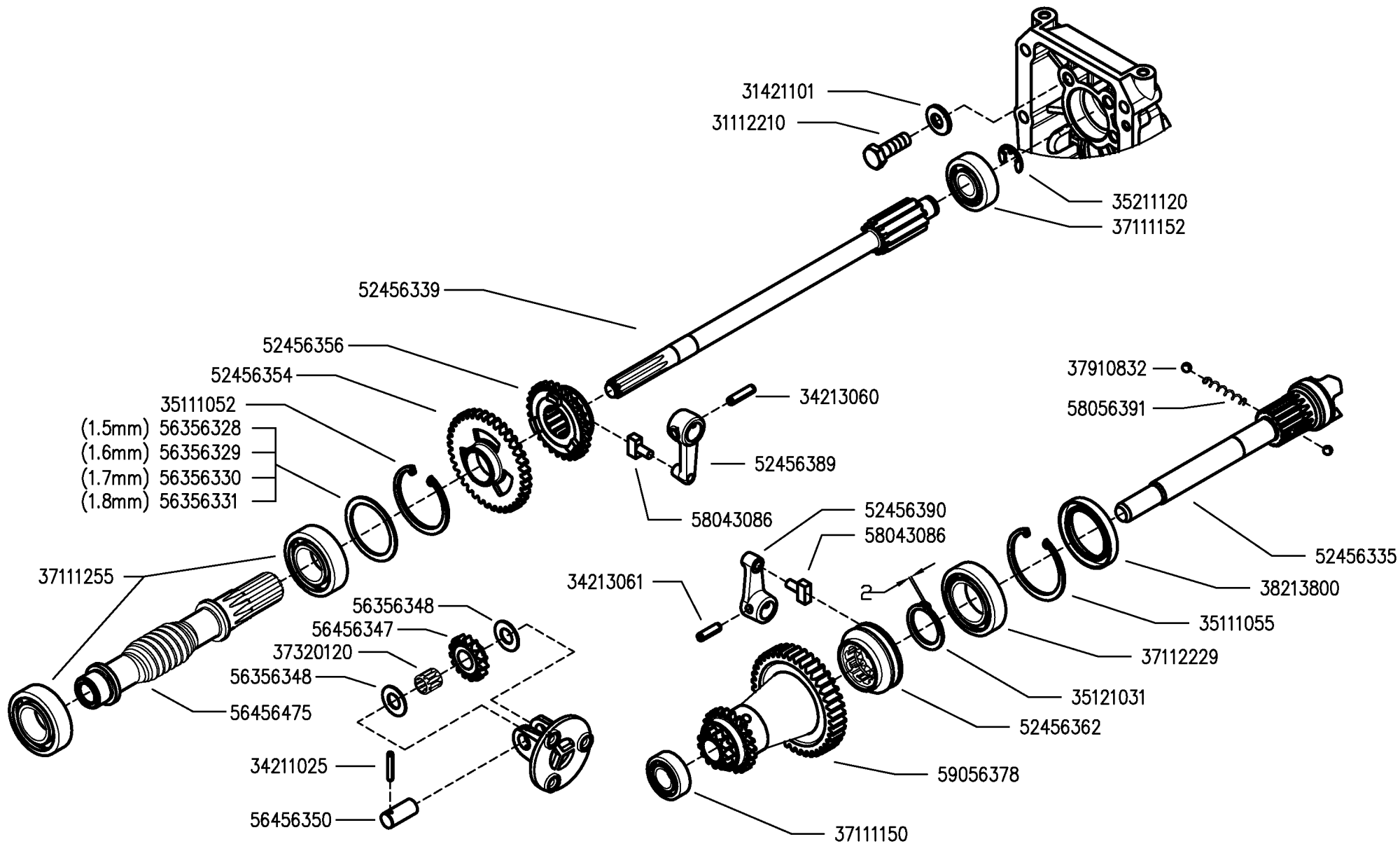
11/2010

Rev.

1

DITE.BCS - Scala 1:6

Pos.	Code	Q.ty	Description	Notes
31100015	31100015	1	SCREW TE 3/8X1	
31104022	31104022	1	SCREW TCEI 5/16X7/8 UNF 12K	
31241083	31241083	1	SELFLOCK NUT M8	
31312073	31312073	1	STUD BOLT	
31312097	31312097	1	STUD BOLT	
31423084	31423084	1	SPRING WASHER 8,4	
38110873	38110873	1	O-RING	
38119823	38119823	1	O-RING	
38212500	38212500	1	OIL SEAL 25X40X7	
38213202	38213202	1	OIL SEAL 32X45X7	
38213500	38213500	1	OIL SEAL 35X47X7	
52456236	52456236	1	PUMP GEAR	
52456237	52456237	1	PUMP GEAR	
53156205	53156205	1	ENGINE FLANGE	
53156206	53156206	1	ENGINE FLANGE	
53156207	53156207	1	ENGINE FLANGE	
532C0055	532C0055	1	ACT ENGINE FLANGE	
56156276	56156276	1	SLEEVE	
56156281	56156281	1	CENTRING BUSH	
56356239	56356239	1	FEEDER Q25	
56356240	56356240	1	TRANSMISSION	
F0803067	F0803067000	1	O-RING	
F0803075	F0803075500	1	O-RING	



300 serie PS  
PowerSafe®

GEARS  
ENGRANAJES

INGRANAGGI CAMBIO  
(310)

ENGRANAGES  
ZÄHRÄDER

DALLA MACCHINA  
DE LA MAQUINA  
DE LA MACHINA  
FROM THE MACHINE  
AB DER MASCHINE

N.

H01 0

05/2009

Rev.



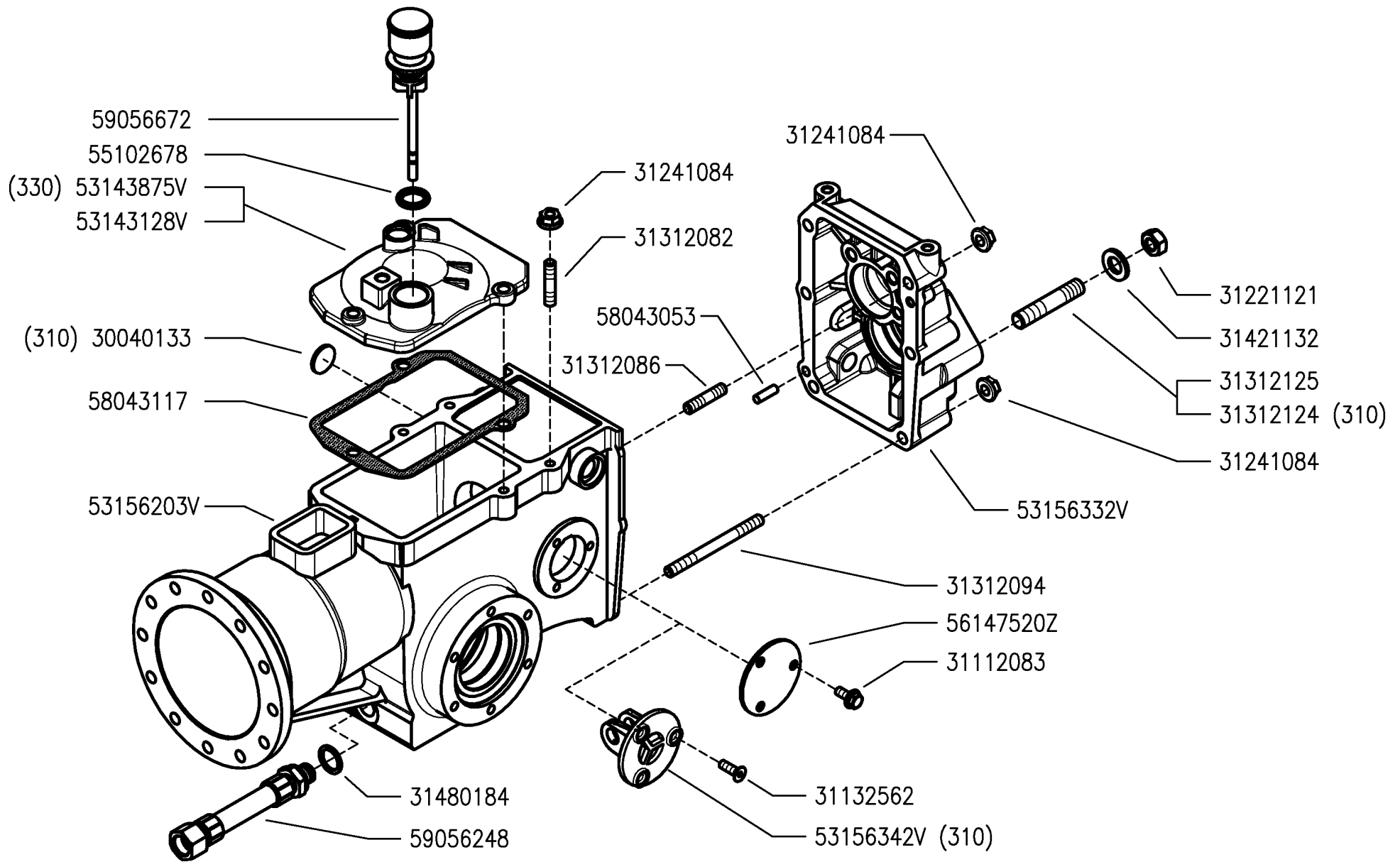
Pos.	Code	Q.ty	Description	Notes
31112210	31112210	1	SCREW TE M10X20 UNI 5739	
31421101	31421101	1	WASHER	
34211025	34211025	1	ROLL PIN	
34213060	34213060	1	ROLL PIN	
34213061	34213061	1	ROLL PIN	
35111052	35111052	1	SEEGER RING	
35111055	35111055	1	SEEGER RING	
35121031	35121031	1	SEEGER RING	
35211120	35211120	1	SEEGER RING	
37111150	37111150	1	BEARING	
37111152	37111152	1	BEARING	
37111255	37111255	1	BEARING	
37112229	37112229	1	BEARING	
37320120	37320120	1	ROLLER CAGE 12X15/10	
37910832	37910832	1	BALL 1/4	
38213800	38213800	1	OIL SEAL 38X55X7	
52456335	52456335	1	PTO SHAFT	
52456339	52456339	1	SHAFT	
52456354	52456354	1	GEAR	
52456356	52456356	1	SLIDER	
52456362	52456362	1	COUPLING	
52456389	52456389	1	LEVER	
52456390	52456390	1	LEVER	
56356328	56356328	1	ADJUSTING RING SP=1,5	
56356329	56356329	1	ADJUSTING RING SP=1,6	
56356330	56356330	1	ADJUSTING RING SP=1,7	
56356331	56356331	1	ADJUSTING RING SP=1,8	
56356348	56356348	1	ADJUSTING RING	
56456347	56456347	1	GEAR	
56456350	56456350	1	GEAR PIN	
56456475	56456475	1	SCREW	
58043086	58043086	1	SHOE	
58056391	58056391	1	SPRING	
59056378	59056378	1	TRANSMISSION SHAFT	

SERIAL

## GEARS

CODE REV

H01\_0\_66868



300 serie PS  
PowerSafe®

GEARBOX  
CAJA DE CAMBIO

SCATOLA CAMBIO  
(310-320-330)

BOITE DE VITESSES  
WECHSELGETRIEBE

DALLA MACCHINA  
DE LA MAQUINA  
DE LA MAQUINA  
FROM THE MACHINE  
AB DER MASCHINE

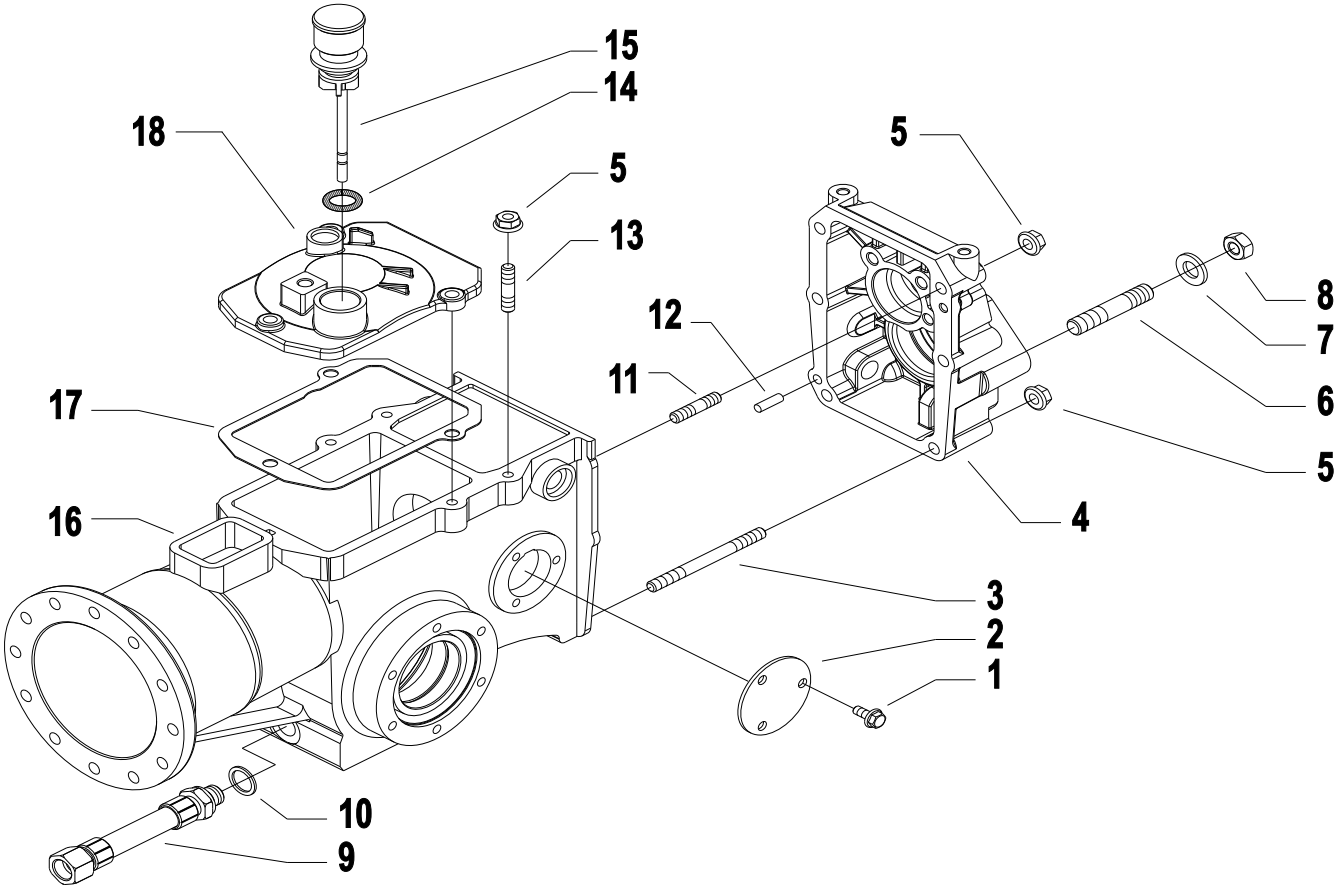
N.

G01 0

05/2009

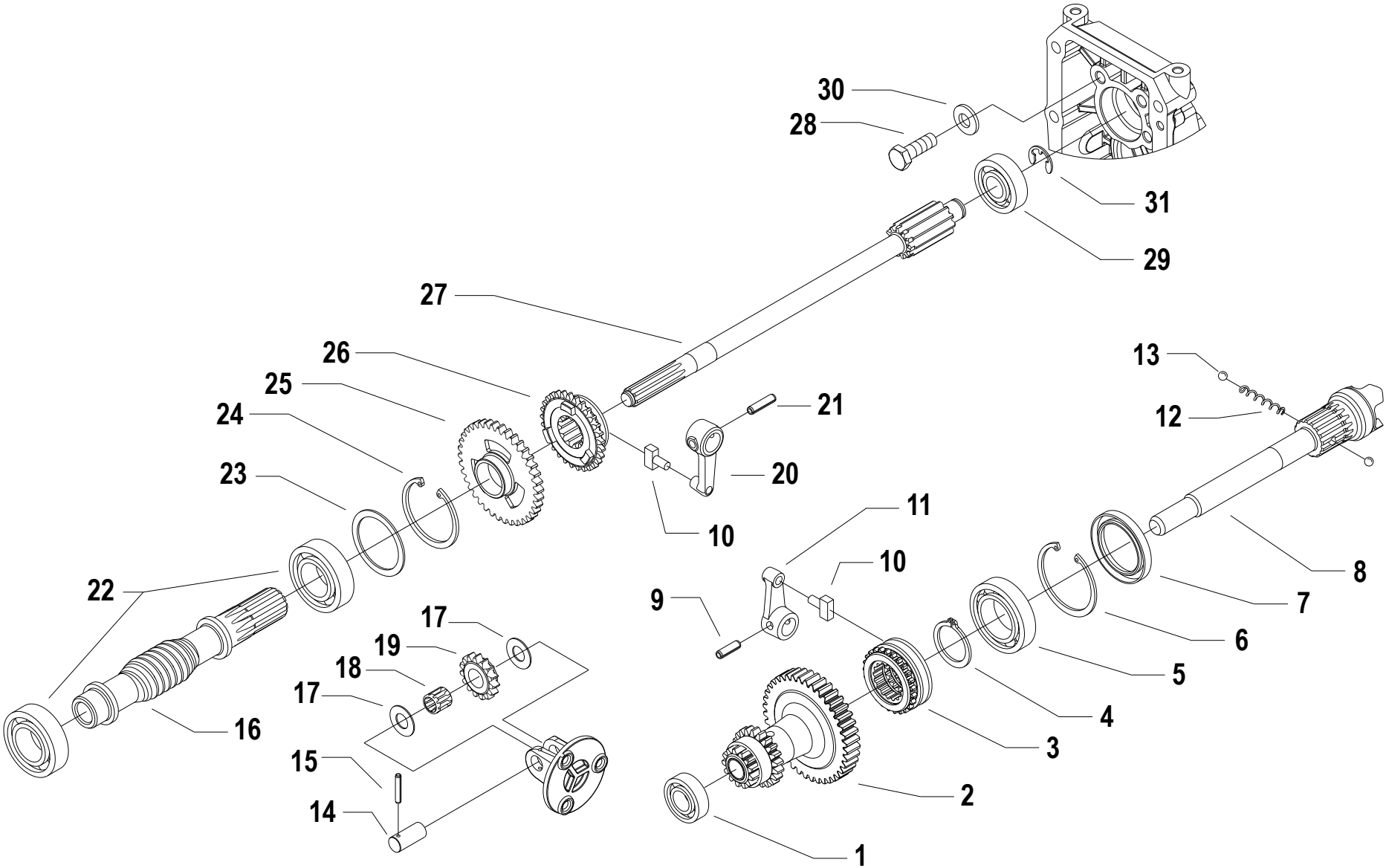
Rev.

Pos.	Code	Q.ty	Description	Notes
30040133	30040133	1	PLUG 22 DIN 470	
31112083	31112083	1	SCREW M6X12	
31132562	31132562	1	SCREW TSVEI M6X16 UNI 5933	
31221121	31221121	1	NUT M12X1,25	
31241084	31241084	1	SELFLOCK NUT M8 6S	
31312082	31312082	1	STUD BOLT M8X38X14X20	
31312086	31312086	1	STUD BOLT M8X56X20X14	
31312094	31312094	1	STUD BOLT M8X68X14X36	
31312124	31312124	1	STUD BOLT	
31312125	31312125	1	STUD BOLT	
31421132	31421132	1	WASHER 13X24X2,8	
31480184	31480184	1	COPPER WASHER 16,7x22/1,5	
55102678	55102678	1	RUBBER RING	
58043053	58043053	1	CYLINDRICAL PLUG	
58043117	58043117	1	COVER GASKET	
59056248	59056248	1	SUCTION SHORT HOSE	
59056672	59056672	1	OIL LEVEL CAP W/SHAFT	
53143128	53143128V	1	COVER	
53143875	53143875V	1	GEARBOX HOUSING COVER	
53156203	53156203V	1	BOX CASING	
53156332	53156332V	1	REAR COVER	
53156342	53156342V	1	GEAR SUPPORT	
56147520	56147520Z	1	COVER	



Pos.	Code	Q.ty	Description	Notes
1	31112083	1	SCREW M6X12	
2	56147520Z	1	COVER	
3	31312094	1	STUD BOLT M8X68X14X36	
4	53156332V	1	REAR COVER	
5	31241084	1	SELFLOCK NUT M8 6S	
6	31312125	1	STUD BOLT	
7	31421132	1	WASHER 13X24X2,8	
8	31221121	1	NUT M12X1,25	
9	59056248	1	SUCTION SHORT HOSE	
10	31480184	1	COPPER WASHER 16,7x22/1,5	
11	31312086	1	STUD BOLT M8X56X20X14	
12	58043053	1	CYLINDRICAL PLUG	
13	31312082	1	STUD BOLT M8X38X14X20	
14	55102678	1	RUBBER RING	
15	59056672	1	OIL LEVEL CAP W/SHAFT	
16	53156203V	1	BOX CASING	
17	58043117	1	COVER GASKET	
18	53143128V	1	COVER	Pour les modèles Série 310/320/328 PS
18	53143875V	1	GEARBOX HOUSING COVER	Pour les modèles 330/338 de la série PS

GEARS



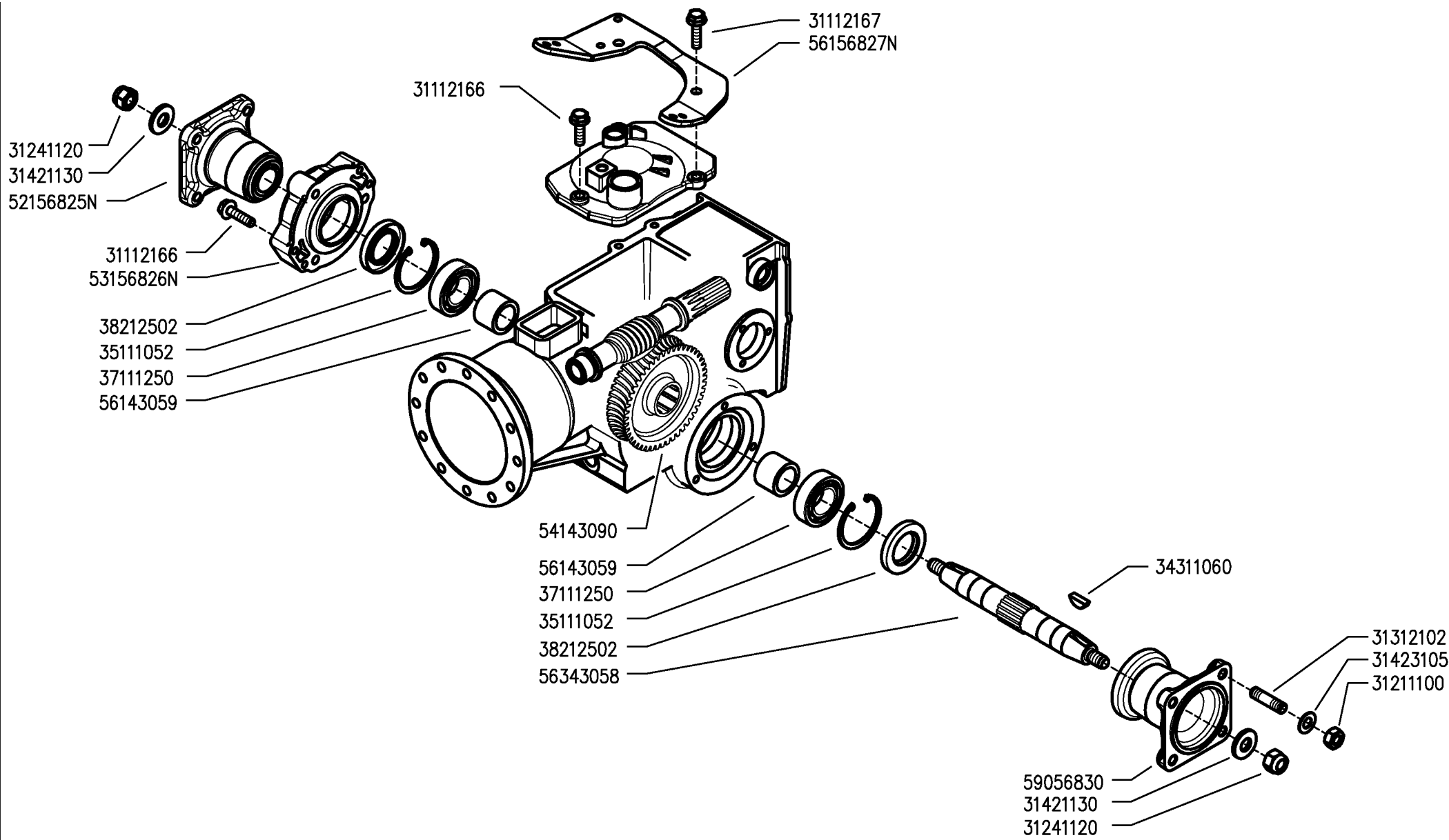
Pos.	Code	Q.ty	Description	Notes
1	37111150	1	BEARING	
2	59056395	1	TRANSMISSION SHAFT	Replaces 59056378 + 52456362
3	52456706	1	PTO COUPLING	Replaces 59056378 + 52456362
4	35121031	1	SEEGER RING	
5	37112229	1	BEARING	
6	35111055	1	SEEGER RING	
7	38213800	1	OIL SEAL 38X55X7	
8	52456335	1	PTO SHAFT	
9	34213061	1	ROLL PIN	
10	58043086	1	SHOE	
11	52456390	1	LEVER	
12	58056391	1	SPRING	
13	37910832	1	BALL 1/4	
14	56456350	1	GEAR PIN	
15	34211025	1	ROLL PIN	
16	56456475	1	SCREW	
17	56356348	1	ADJUSTING RING	
18	37320120	1	ROLLER CAGE 12X15/10	
19	56456347	1	GEAR	
20	52456389	1	LEVER	
21	34213060	1	ROLL PIN	
22	37111255	1	BEARING	
23	56356328	1	ADJUSTING RING SP=1,5	
23	56356329	1	ADJUSTING RING SP=1,6	
23	56356330	1	ADJUSTING RING SP=1,7	
23	56356331	1	ADJUSTING RING SP=1,8	
24	35111052	1	SEEGER RING	
25	52456354	1	GEAR	
26	52456356	1	SLIDER	
27	52456339	1	SHAFT	
28	31112210	1	SCREW TE M10X20 UNI 5739	
29	37111152	1	BEARING	
30	31421101	1	WASHER	
31	35211120	1	SEEGER RING	

SERIAL  
START  
**937702**

## GEARS

CODE REV

**H.01.01.A0003\_01**



300 serie PS  
PowerSafe®

WHEELS AXLE  
EJE RUEDAS

ASSE RUOTE  
(310-320)

ESSIEUS ROUES  
RÄDACHSE

DALLA MACCHINA  
DE LA MAQUINA  
DE LA MACHINA  
FROM THE MACHINE  
AB DER MASCHINE

N.


101

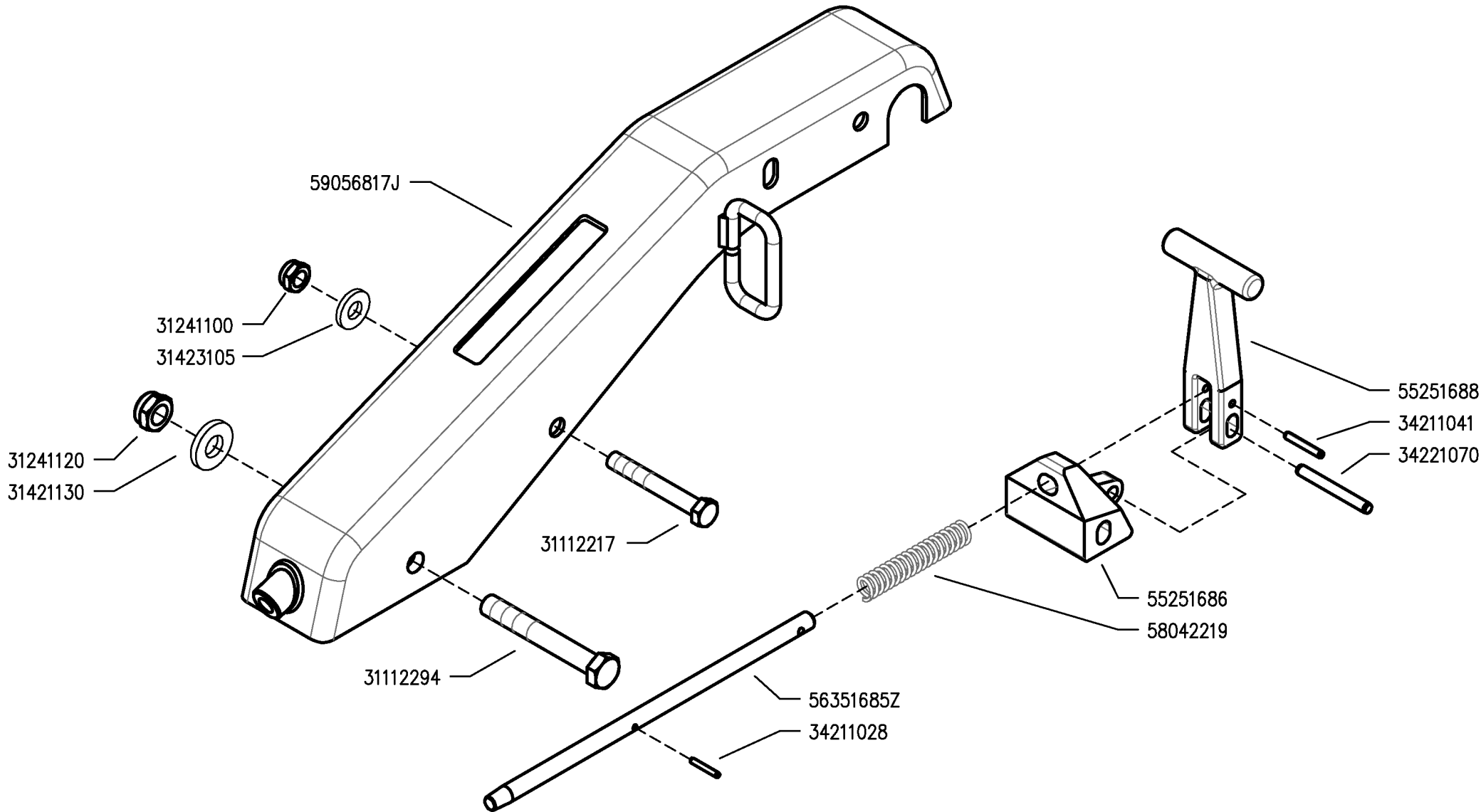
05/2009

Rev.

0



Pos.	Code	Q.ty	Description	Notes
31112166	31112166	1	SCREW TE C/F M8X25 DIN 6921 8G	
31112167	31112167	1	SCREW TE C/F M8X30 DIN 6921 8G	
31211100	31211100	1	NUT M10	
31241120	31241120	1	SELFLOCK NUT M12	
31312102	31312102	1	STUD BOLT M10X40X24X12	
31421130	31421130	1	WASHER	
31423105	31423105	1	SPRING WASHER 10,5	
34311060	34311060	1	KEY 6X10 UNI 6606	
35111052	35111052	1	SEEGER RING	
37111250	37111250	1	BEARING	
38212502	38212502	1	OIL SEAL 25X52X7	
54143090	54143090	1	CROWN WHEEL	
56143059	56143059	1	SPACER	
56343058	56343058	1	AXLE SHAFT	
59056830	59056830	1	WHEEL HUB	
52156825	52156825N	1	WHEEL HUB	
53156826	53156826N	1	FLANGE	
56156827	56156827N	1	STOP	



300 serie PS  
PowerSafe®

STEERING COLUMN  
COLUMNA

PIANTONE  
(310)

PLANTON  
LENKSÄULE

DALLA MACCHINA  
DE LA MAQUINA  
DE LA MACHINA  
FROM THE MACHINE  
AB DER MASCHINE

N.

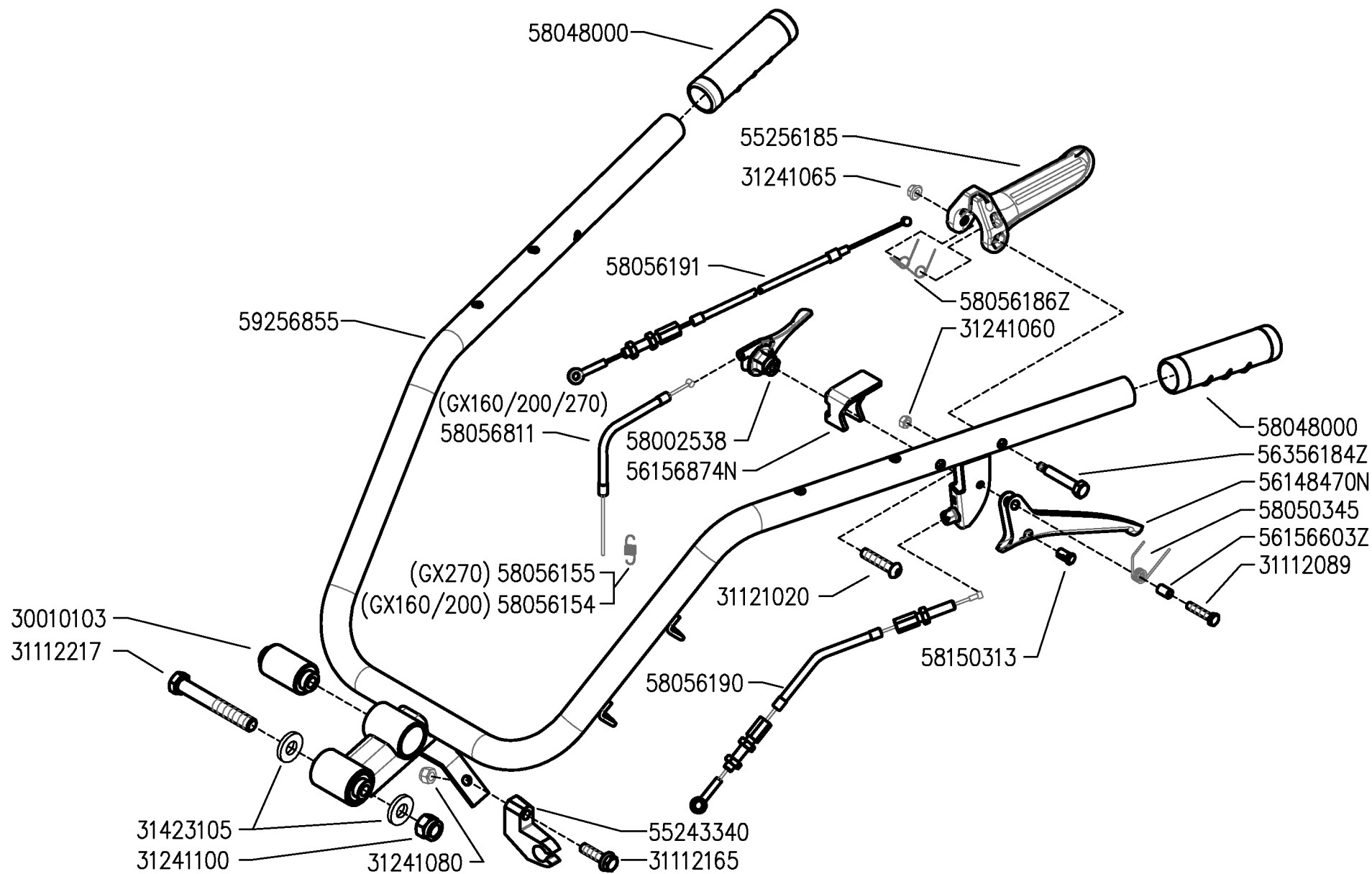
J01

05/2009

Rev.

0

Pos.	Code	Q.ty	Description	Notes
31112217	31112217	1	SCREW TE M10X80 UNI 5737	
31112294	31112294	1	SCREW TE M12X85 UNI 5737	
31241100	31241100	1	SELFLOCK HEXAGON NUT M10	
31241120	31241120	1	SELFLOCK NUT M12	
31421130	31421130	1	WASHER	
31423105	31423105	1	SPRING WASHER 10,5	
34211028	34211028	1	ROLL PIN	
34211041	34211041	1	ROLL PIN	
34221070	34221070	1	CYLINDRICAL PLUG 8X50 UNI 1707	
55251686	55251686	1	LEVER BEARING	
55251688	55251688	1	LEVER	
58042219	58042219	1	SPRING	
56351685	56351685Z	1	ROD	
59056817	59056817B	1	COLUMN	



300 serie PS  
PowerSafe®

HANDLEBAR  
MANILLAR

MANUBRIO  
(310)

MANCHERON  
LINCHER

DALLA MACCHINA  
DE LA MAQUINA  
DE LA MACHINA  
FROM THE MACHINE  
AB DER MASCHINE

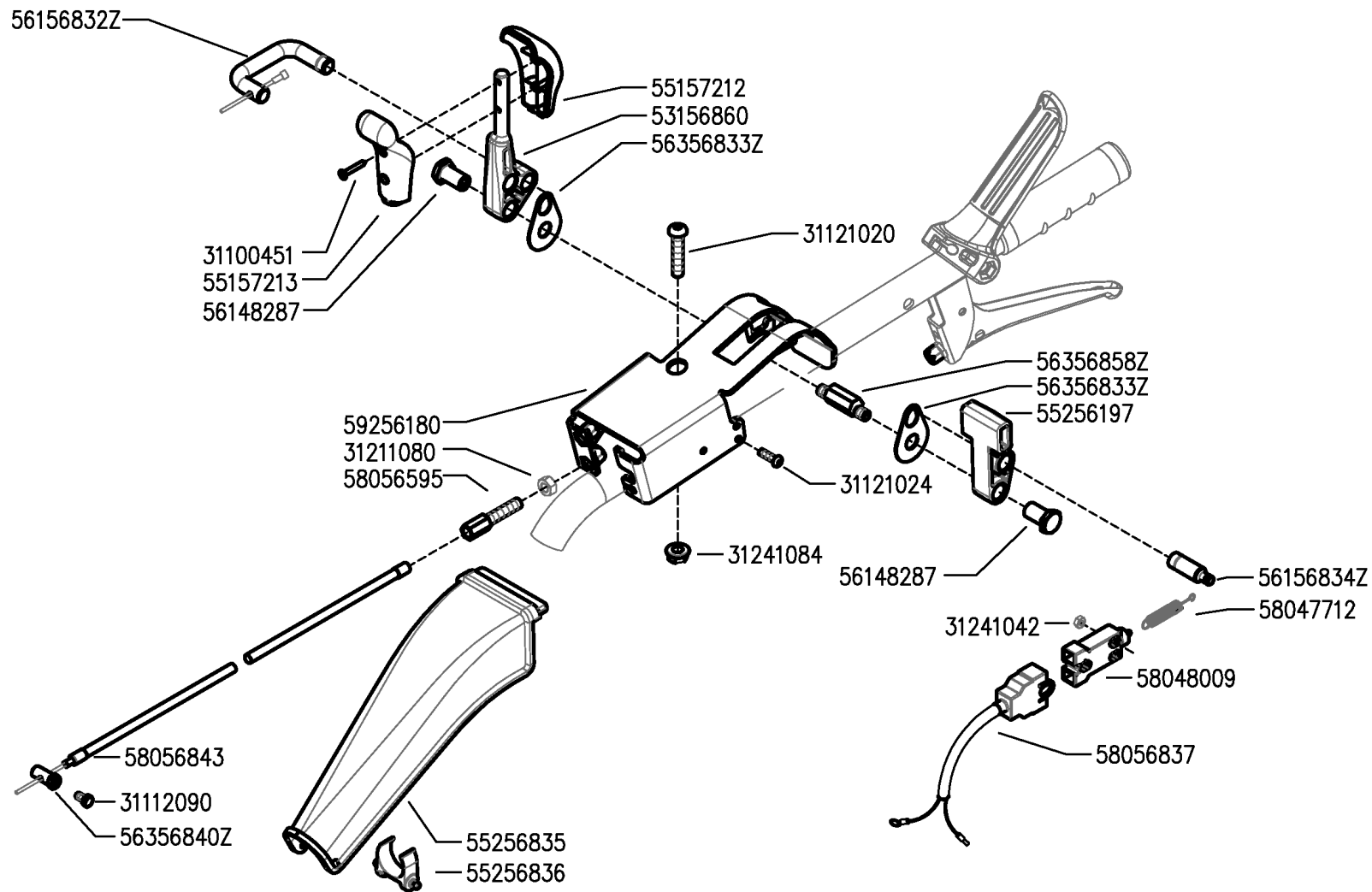
N.

K01 0

05/2009

Rev.

Pos.	Code	Q.ty	Description	Notes
30010103	30010103	1	SILENT-BLOCK 10,2X30X45X60,5	
31112089	31112089	1	SCREW TE M6X25 UNI 5739 8G	
31112165	31112165	1	SCREW TE C/F M8X35 DIN 6921 8G	
31112217	31112217	1	SCREW TE M10X80 UNI 5737	
31121020	31121020	1	SCREW TBCEI M8X40 ISO7380 10K Z	
31241060	31241060	1	HEXAGON SELFLOCK NUT M6	
31241065	31241065	1	SELFLOCK NUT M6	
31241080	31241080	1	HEXAGON SELFLOCK NUT M8	
31241100	31241100	1	SELFLOCK HEXAGON NUT M10	
31423105	31423105	1	SPRING WASHER 10,5	
55243340	55243340	1	SUPPORT	
55256185	55256185	1	LEVER	
58002538	58002538	1	COMMAND LEVER	
58048000	58048000	1	KNOB	
58050345	58050345	1	SPRING	
58056154	58056154	1	RESTORING SPRING	Utilizzato con motore GX200
58056155	58056155	1	RESTORING SPRING	Utilizzato con motore GX270
58056190	58056190	1	LINE	
58056191	58056191	1	LINE	
58056811	58056811	1	LINE AND SHEATH	
58150313	58150313	1	CABLE CLAMP	
59256855	59256855	1	HANDLE BAR	
56148470	56148470N	1	LEVER	
56156603	56156603Z	1	SPACER	
56156874	56156874N	1	PANEL	
56356184	56356184Z	1	LEVER PIN	
58056186	58056186Z	1	SPRING	



300 serie PS  
PowerSafe®

HANDLEBAR CONTROLS  
CONTROLES EN EL MANILLAR

COMANDI SUL MANUBRIO  
(310)

CONTROLES SUR LE MANCHERON  
KONTROLLEN AM LINCHER

DALLA MACCHINA  
DE LA MAQUINA  
DE LA MACHINA  
FROM THE MACHINE  
AB DER MASCHINE

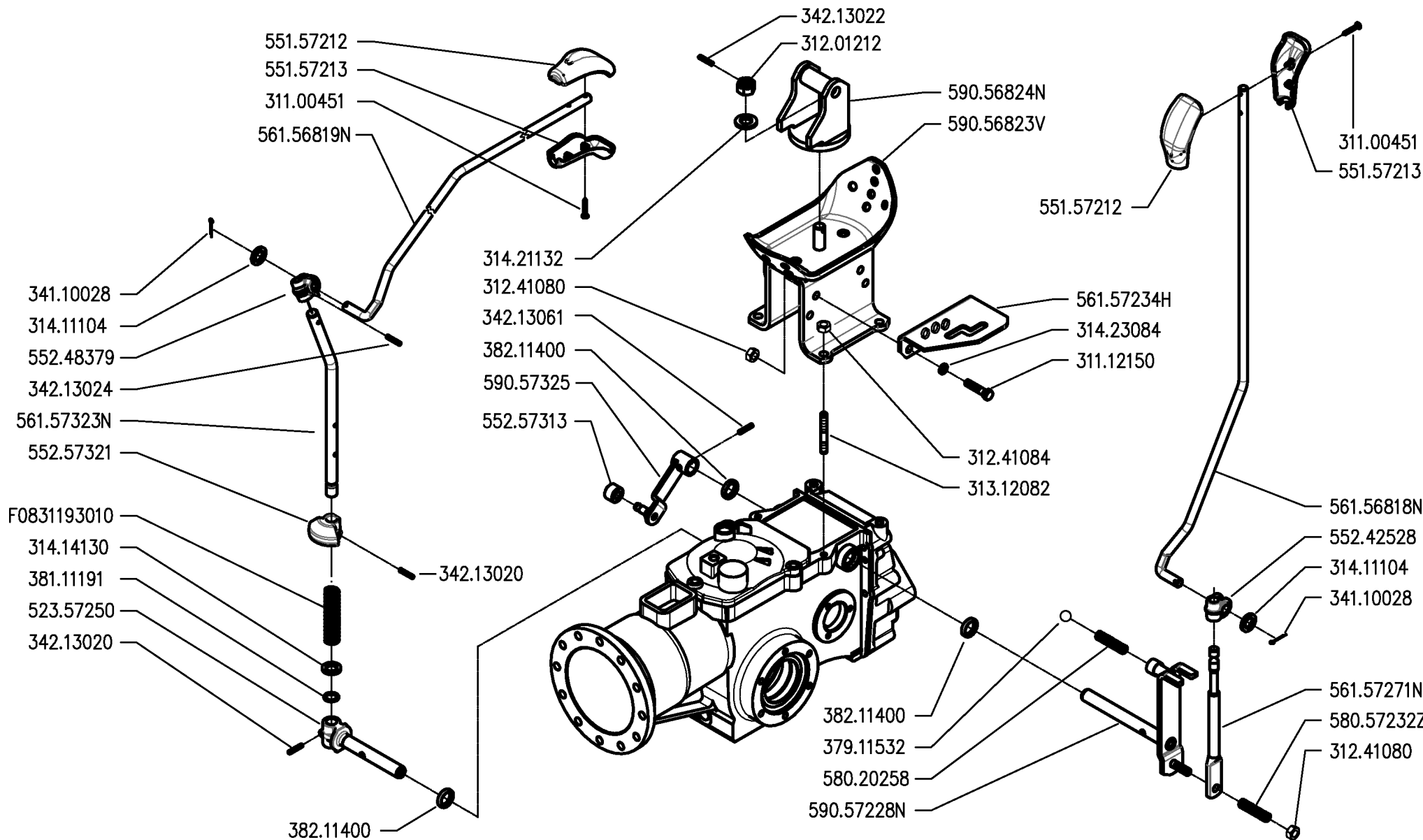
N.

L01 0

05/2009

Rev.

Pos.	Code	Q.ty	Description	Notes
31100451	31100451	1	SCREW 3,5X25	
31112090	31112090	1	SCREW TE M6X16 UNI 5739 8G	
31121020	31121020	1	SCREW TBCEI M8X40 ISO7380 10K Z	
31121024	31121024	1	SCREW TBCEI FL.M4X25	
31211080	31211080	1	NUT M8	
31241042	31241042	1	SELFLOCK NUT M4 FL.6S	
31241084	31241084	1	SELFLOCK NUT M8 6S	
53156860	53156860	1	COMMAND LEVER	
55157212	55157212	1	GRIP	
55157213	55157213	1	GRIP	
55256197	55256197	1	LEVER	
55256835	55256835	1	PROTECTION COVER	
55256836	55256836	1	CROSS MEMBER	
56148287	56148287	1	STUD BOLT	
58047712	58047712	1	SPRING	
58048009	58048009	1	SWITCH	
58056595	58056595	1	ADJUSTING SCREW	
58056837	58056837	1	WIRING	
58056843	58056843	1	LINE AND SHEATH	
59256180	59256180	1	SUPPORT	
56156832	56156832Z	1	U BOLT	
56156834	56156834Z	1	INDEXING BOLT	
56356833	56356833Z	1	SMALL PLATE	
56356840	56356840Z	1	CLAMPING SCREW	
56356858	56356858Z	1	PIN	



300 serie PS  
PowerSafe®

CONTROLS  
MANDOS

COMANDI  
(310)

COMMANDES  
ANTRIEBE

DALLA MACCHINA  
DE LA MAQUINA  
DE LA MACHINA  
FROM THE MACHINE  
AB DER MASCHINE

N.

M01 0

05/2009

Rev.



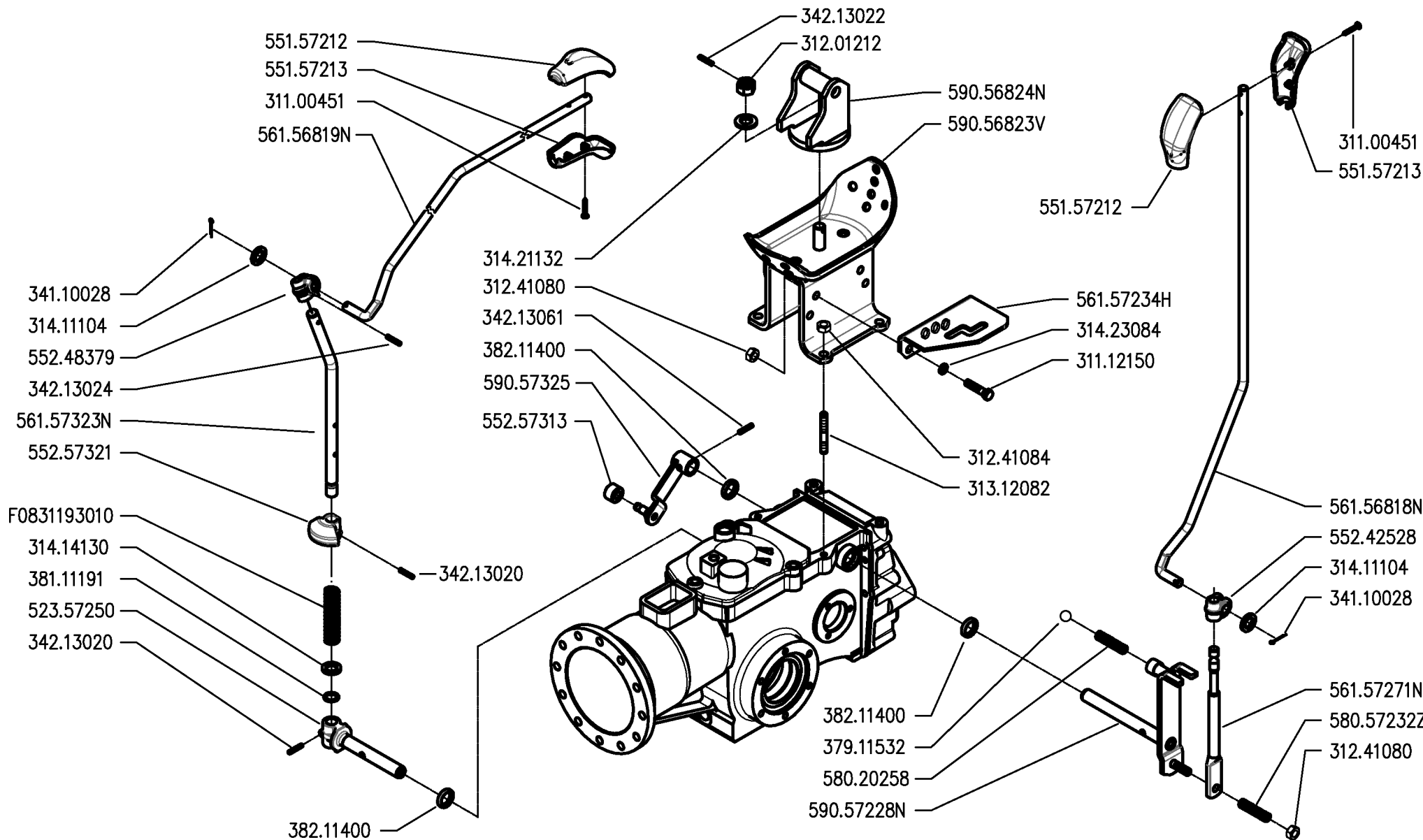
Pos.	Code	Q.ty	Description	Notes
31100451	31100451	1	SCREW 3,5X25	
31112150	31112150	1	SCREW TE M8X20 UNI 5739 8G	
31201212	31201212	1	NUT M12	
31241080	31241080	1	HEXAGON SELFLOCK NUT M8	
31241084	31241084	1	SELFLOCK NUT M8 6S	
31312082	31312082	1	STUD BOLT M8X38X14X20	
31411104	31411104	1	WASHER 10,5x18	
31414130	31414130	1	WASHER 13	
31421132	31421132	1	WASHER 13X24X2,8	
31423084	31423084	1	SPRING WASHER 8,4	
34110028	34110028	1	SPLIT PIN	
34213020	34213020	1	ROLL PIN	
34213022	34213022	1	ROLL PIN	
34213024	34213024	1	ROLL PIN	
34213061	34213061	1	ROLL PIN	
37911532	37911532	1	BALL 15/32	
38111191	38111191	1	O-RING	
38211400	38211400	1	OIL SEAL 14X22X4	
52357250	52357250	1	PIN	
55157212	55157212	1	GRIP	
55157213	55157213	1	GRIP	
55242528	55242528	1	JOINT	
55248379	55248379	1	JOINT	
55257313	55257313	1	ROLLER	
55257321	55257321	1	STOP	
58020258	58020258	1	SPRING	
59057325	59057325	1	LEVER	
56156818	56156818N	1	PULL ROD	
56156819	56156819N	1	PULL ROD	
56157234	56157234H	1	GEAR SELECTOR	
56157271	56157271N	1	COMMAND LEVER	
56157323	56157323N	1	PTO LEVER	
58057232	58057232Z	1	SPRING	
59056823	59056823V	1	SUMP	

SERIAL

## CONTROLS

CODE REV

M01\_0\_67400



300 serie PS  
PowerSafe®

CONTROLS  
MANDOS

COMANDI  
(310)

COMMANDES  
ANTRIEBE

DALLA MACCHINA  
DE LA MAQUINA  
DE LA MACHINA  
FROM THE MACHINE  
AB DER MASCHINE

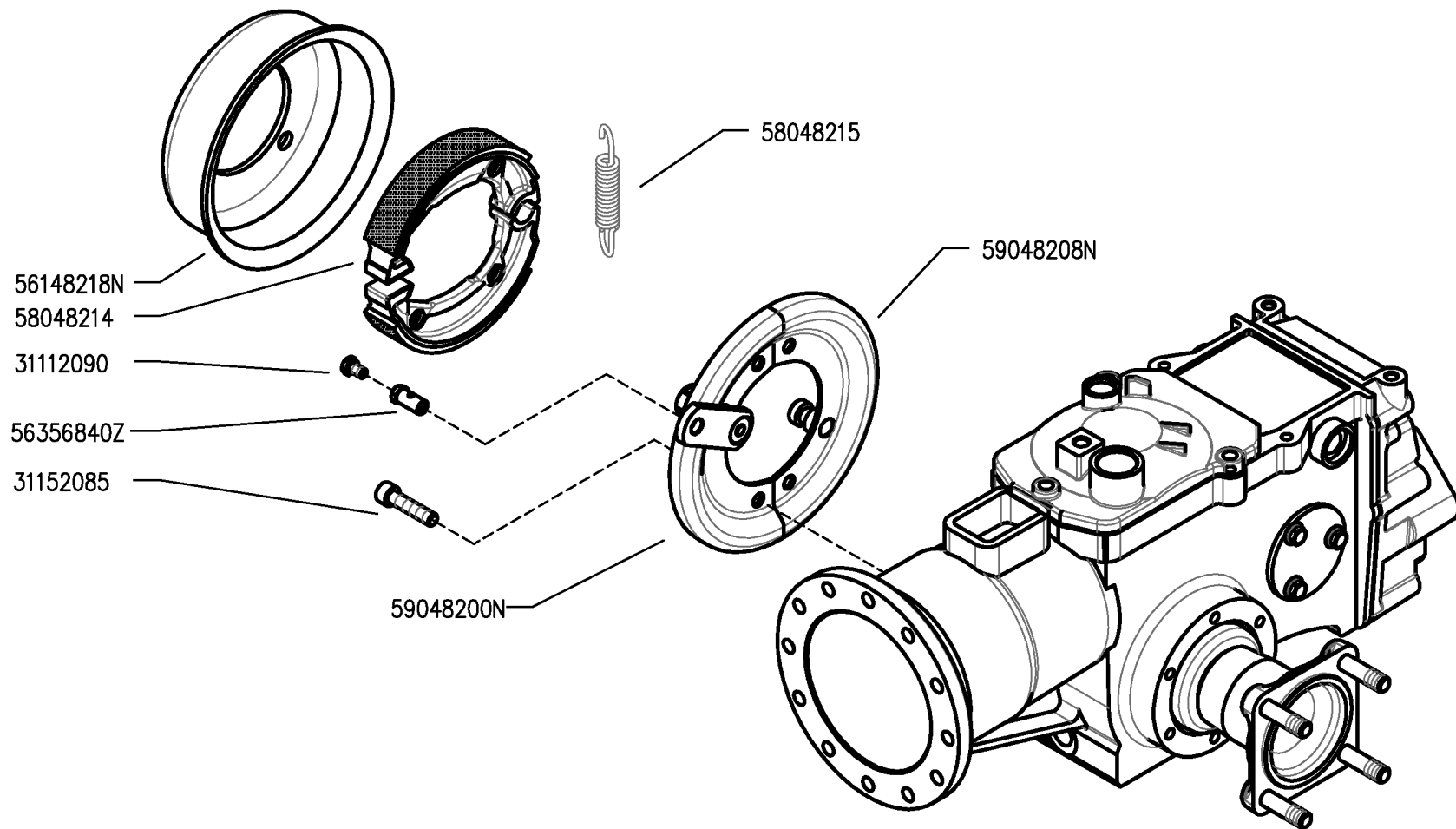
N.

M01 0

05/2009

Rev.

<b>Pos.</b>	<b>Code</b>	<b>Q.ty</b>	<b>Description</b>	<b>Notes</b>
59056824	59056824N	1	SUPPORT	
59057228	59057228N	1	GEAR LEVER	
F0831193	F0831193010	1	SPRING DM.15X70	



**FERRARI**

300 serie PS  
PowerSafe®

BRAKE  
FRENO

FRENO  
(310-320)

FREIN  
BREMSE

DALLA MACCHINA  
DE LA MACCHINA  
DE LA MACCHINA  
FROM THE MACHINE  
AB DER MASCHINE

N.

N01

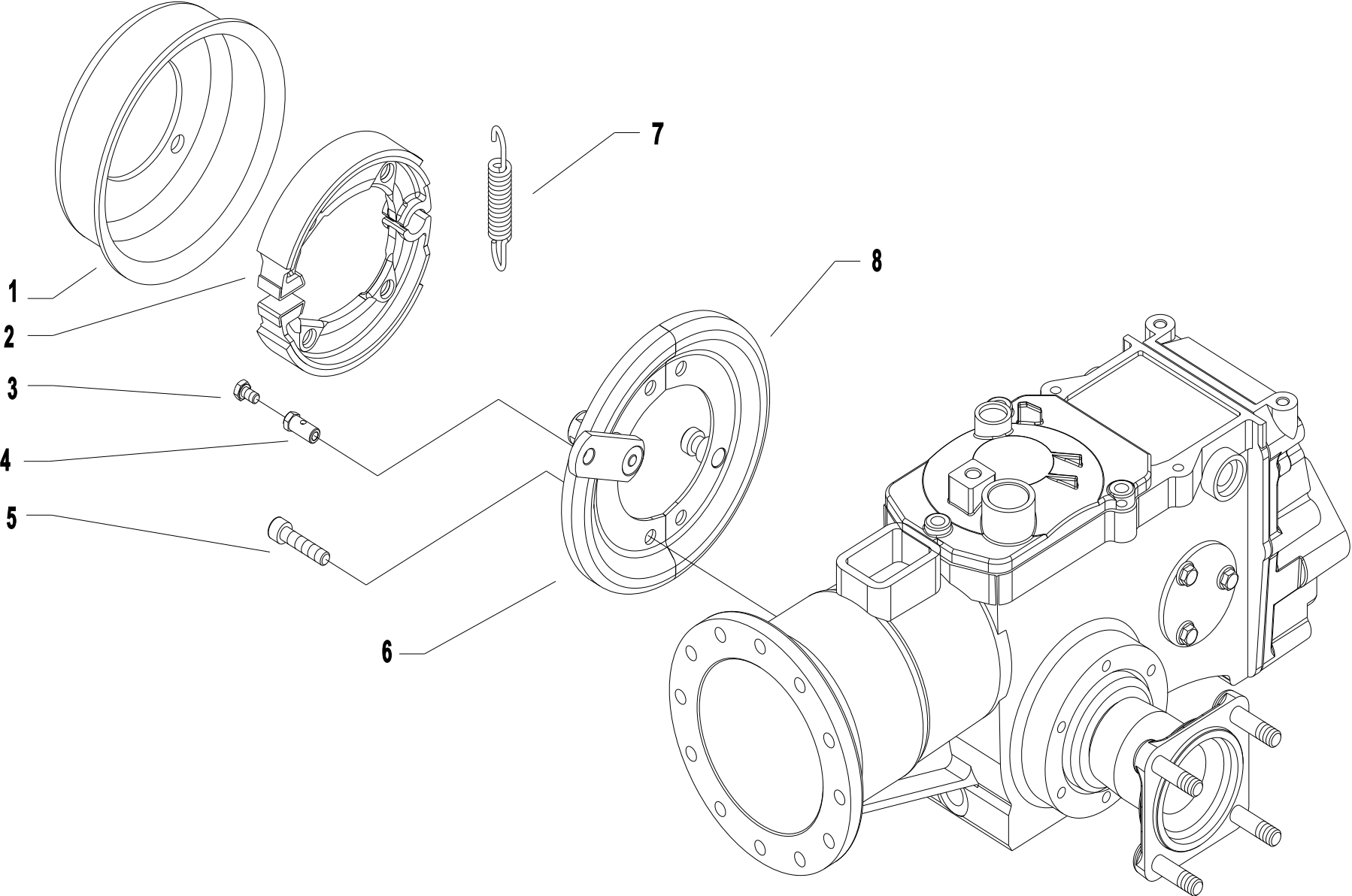
05/2009

Rev.

0

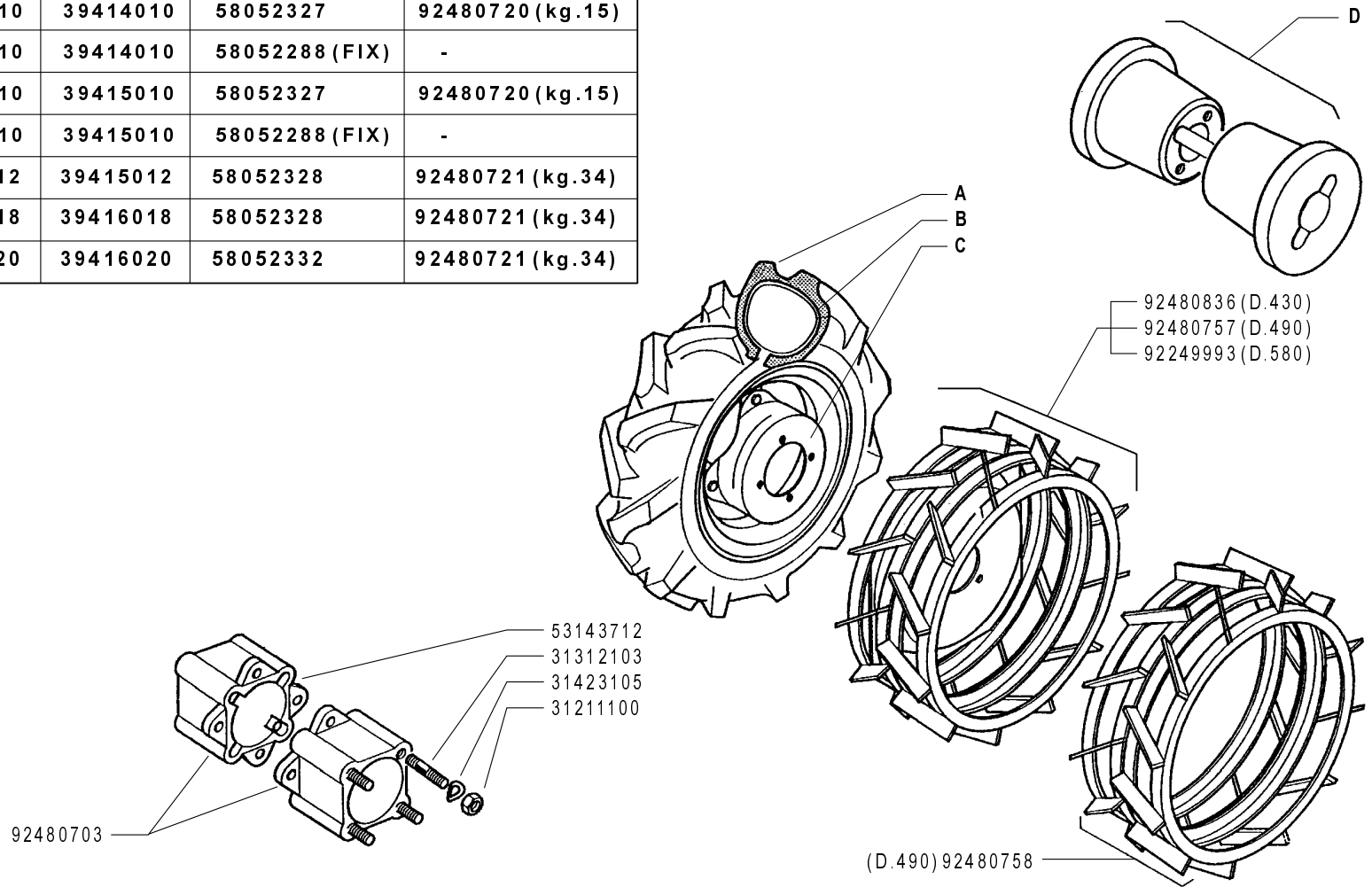
DITE BCS - Scala 1:4

Pos.	Code	Q.ty	Description	Notes
31112090	31112090	1	SCREW TE M6X16 UNI 5739 8G	
31152085	31152085	1	SCREW TCEI M8X25 UNI 5931	
58048214	58048214	1	BRAKE BLOCK	
58048215	58048215	1	SPRING	
56148218	56148218N	1	BRAKE DRUM	
56356840	56356840Z	1	CLAMPING SCREW	
59048200	59048200N	1	HALF DISC	
59048208	59048208N	1	HALF DISC	



<b>Pos.</b>	<b>Code</b>	<b>Q.ty</b>	<b>Description</b>	<b>Notes</b>
1	56148218N	1	BRAKE DRUM	
2	58048214	1	BRAKE BLOCK	
3	31112090	1	SCREW TE M6X16 UNI 5739 8G	
4	56356840Z	1	CLAMPING SCREW	
5	31152085	1	SCREW TCEI M8X25 UNI 5931	
6	59048200N	1	HALF DISC	
7	58048215	1	SPRING	
8	59048208	1	HALF DISC	

	A	B	C	D
4.00 - 8"	39114008	39414008	58052326	92480719 (kg.11)
4.0 - 10"	39114010	39414010	58052327	92480720 (kg.15)
4.0 - 10"	39114010	39414010	58052288 (FIX)	-
5.0 - 10"	39115010	39415010	58052327	92480720 (kg.15)
5.0 - 10"	39115010	39415010	58052288 (FIX)	-
5.00 - 12"	39115012	39415012	58052328	92480721 (kg.34)
6.5/80 - 12"	39116018	39416018	58052328	92480721 (kg.34)
6.5/80 - 15"	39116020	39416020	58052332	92480721 (kg.34)



**FERRARI**

**300** serie **PS**  
PowerSafe®

**RUOTE**

WHEELS  
RUEDAS

ROUES  
RÄDER

DALLA MACCHINA  
FROM THE MACHINE  
DE LA MACHINE  
DE LA MAQUINA  
AB DER MASCHINE

N.

**P01** 0

05/2009

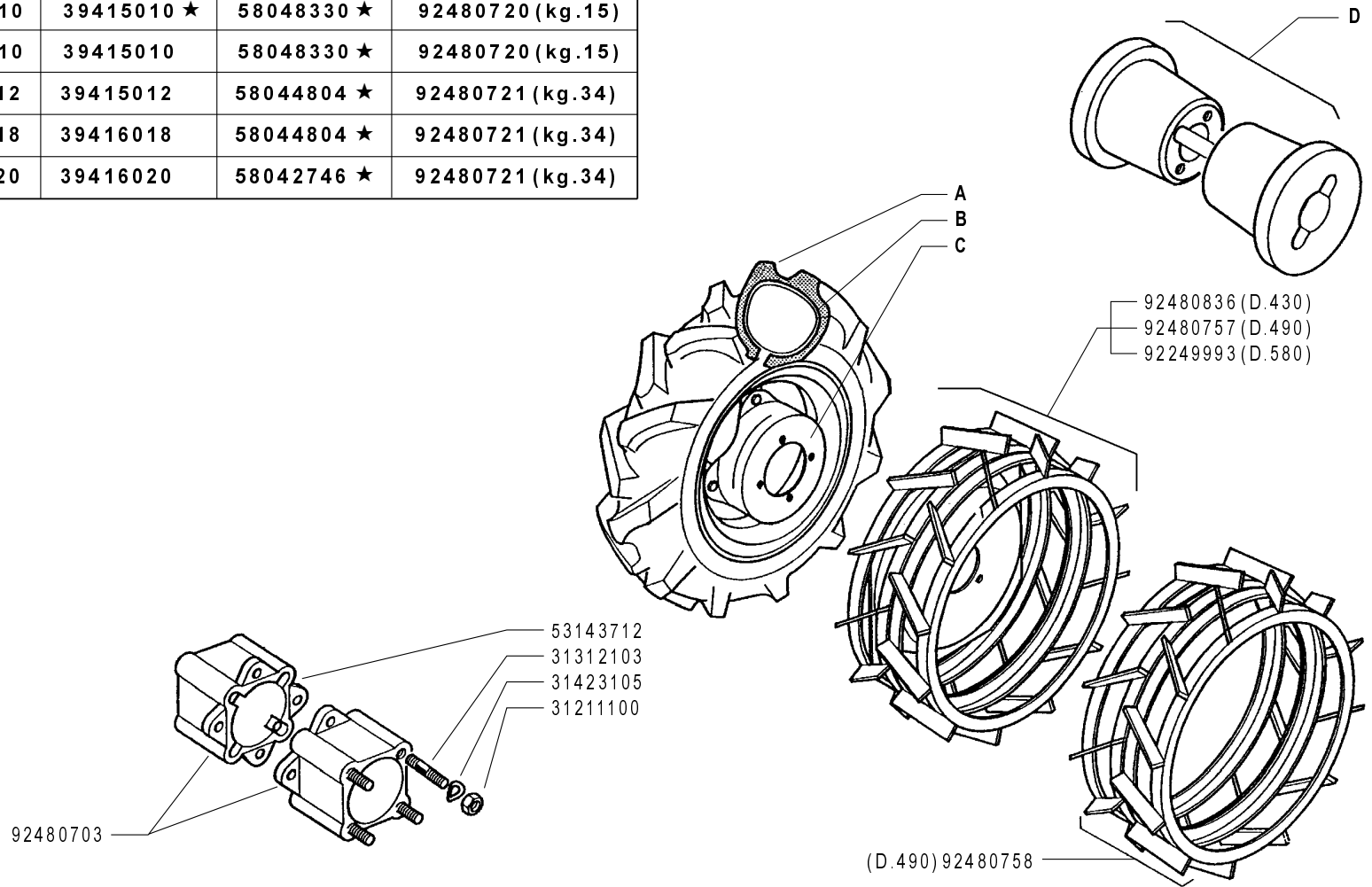
Rev.

ZENNE



Pos.	Code	Q.ty	Description	Notes
31211100	31211100	1	NUT M10	
31312103	31312103	1	STUD BOLT M10X46X24X16	
31423105	31423105	1	SPRING WASHER 10,5	
39114008	39114008	1	TYRE 4.00-8 2PR	
39114010	39114010	1	TYRE 4.0-10 2PR	
39115010	39115010	1	TYRE 5.00-10 2PR	
39115012	39115012	1	TYRE 5.00-12 2PR	
39116018	39116018	1	TYRE 6.5/80-12 2PR	
39116020	39116020	1	TYRE 6.5/80-15 4PR	
39414008	39414008	1	INNER TUBE	
39414010	39414010	1	INNER TUBE	
39415010	39415010	1	INNER TUBE	
39415012	39415012	1	INNER TUBE	
39416018	39416018	1	INNER TUBE	
39416020	39416020	1	INNER TUBE	
53143712	53143712	1	SPACER	
58052288	58052288	1	RIM	
58052326	58052326	1	RIM	
58052327	58052327	1	RIM	
58052328	58052328	1	RIM	
58052332	58052332	1	RIM	
92249993	92249993	1	STEEL CAGE WHEELS D. 58 (PAIR)	
92480703	92480703	1	SPACER CM. 6 FOR WHEELS (PAIR)(0901012301)	
92480719	92480719	1	WEIGHTS KG. 11 FOR WHEELS 4.00-8 FOR 305/306 (PAIR)	
92480720	92480720	1	WEIGHTS KG. 15 FOR WHEELS 4.0-10 AND 5.0-10 FOR 305/306/307 (PAIR)	
92480721	92480721	1	WEIGHTS KG. 34 FOR WHEELS 5.00-12 / 6.5/80-12 (PAIR) (0901012307)	
92480757	92480757	1	CAGE WHEELS DIAM. CM. 49 FOR 306/30 (PAIR) (0901012315)	
92480758	92480758	1	ADAPTER RINGS FOR MOUNTING STEEL CAGE WHEELS CM. 49 (PAIR)	
92480836	92480836	1	STEEL CAGE WHEELS DIAM. 43 CM.	

	A	B	C	D
4.00 - 8"	39114008	39414008	58043250 ★	92480719 (kg.11)
4.0 - 10"	39114010	39415010 ★	58048330 ★	92480720 (kg.15)
5.0 - 10"	39115010	39415010	58048330 ★	92480720 (kg.15)
5.00 - 12"	39115012	39415012	58044804 ★	92480721 (kg.34)
6.5/80 - 12"	39116018	39416018	58044804 ★	92480721 (kg.34)
6.5/80 - 15"	39116020	39416020	58042746 ★	92480721 (kg.34)



**FERRARI**

**300** serie **PS**  
PowerSafe®

WHEELS  
RUEDAS

**RUOTE**

ROUES  
RÄDER

DALLA MACCHINA  
FROM THE MACHINE  
DE LA MACHINE  
DE LA MAQUINA  
AB DER MASCHINE

★ N.

AGGIORNAMENTO

REVISION

MISE A JOUR

APLAZAMIENTO

ANPASSUNG

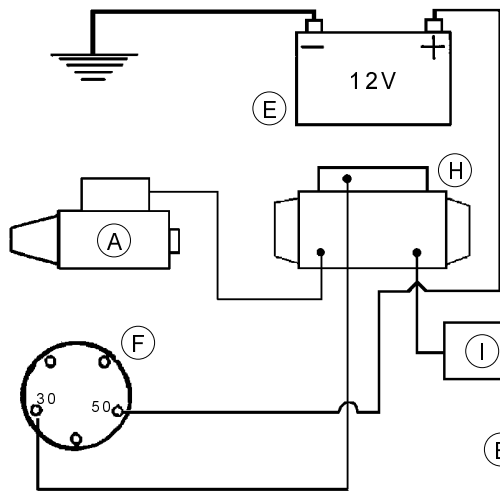
**P01** 1

11/2010

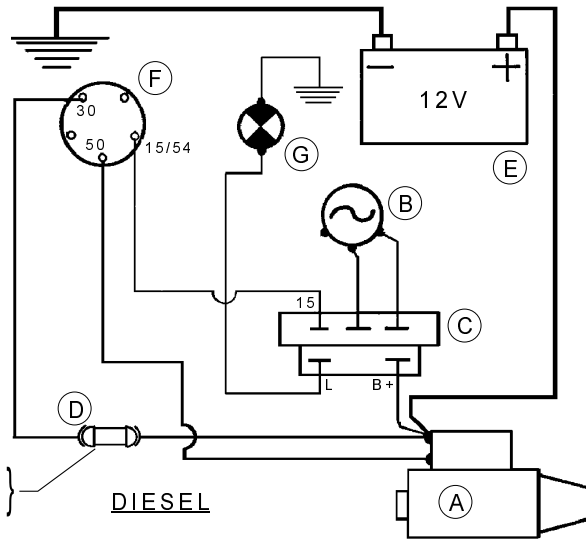
Rev.

ZENNE

Pos.	Code	Q.ty	Description	Notes
31211100	31211100	1	NUT M10	
31312103	31312103	1	STUD BOLT M10X46X24X16	
31423105	31423105	1	SPRING WASHER 10,5	
39114008	39114008	1	TYRE 4.00-8 2PR	
39114010	39114010	1	TYRE 4.0-10 2PR	
39115010	39115010	1	TYRE 5.00-10 2PR	
39115012	39115012	1	TYRE 5.00-12 2PR	
39116018	39116018	1	TYRE 6.5/80-12 2PR	
39116020	39116020	1	TYRE 6.5/80-15 4PR	
39414008	39414008	1	INNER TUBE	
39414010	39414010	1	INNER TUBE	
39415010	39415010	1	INNER TUBE	
39415012	39415012	1	INNER TUBE	
39416018	39416018	1	INNER TUBE	
39416020	39416020	1	INNER TUBE	
53143712	53143712	1	SPACER	
58042746	58042746	1	RIM	
58043250	58043250	1	RIM	
58044804	58044804	1	RIM	
58048330	58048330	1	RIM	
58052332	58052332	1	RIM	
92249993	92249993	1	STEEL CAGE WHEELS D. 58 (PAIR)	
92480703	92480703	1	SPACER CM. 6 FOR WHEELS (PAIR)(0901012301)	
92480719	92480719	1	WEIGHTS KG. 11 FOR WHEELS 4.00-8 FOR 305/306 (PAIR)	
92480720	92480720	1	WEIGHTS KG. 15 FOR WHEELS 4.0-10 AND 5.0-10 FOR 305/306/307 (PAIR)	
92480721	92480721	1	WEIGHTS KG. 34 FOR WHEELS 5.00-12 / 6.5/80-12 (PAIR) (0901012307)	
92480757	92480757	1	CAGE WHEELS DIAM. CM. 49 FOR 306/30 (PAIR) (0901012315)	
92480758	92480758	1	ADAPTER RINGS FOR MOUNTING STEEL CAGE WHEELS CM. 49 (PAIR)	
92480836	92480836	1	STEEL CAGE WHEELS DIAM. 43 CM.	

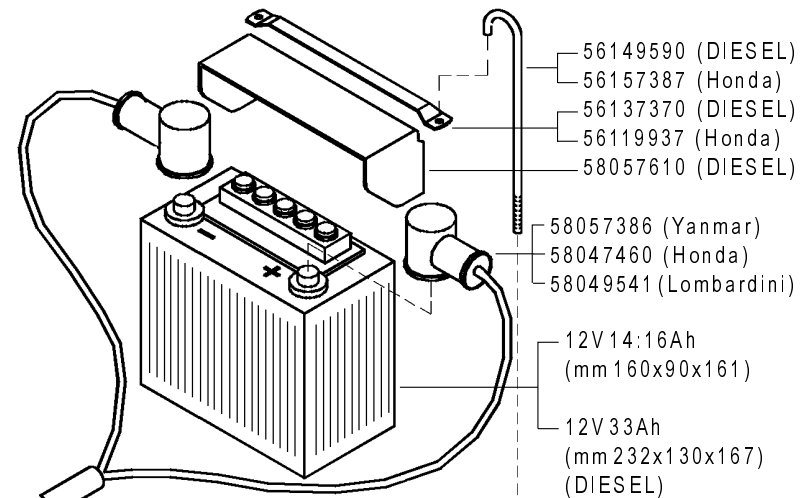


HONDA



(Yanmar) 15A  
(Lombardini) 25A

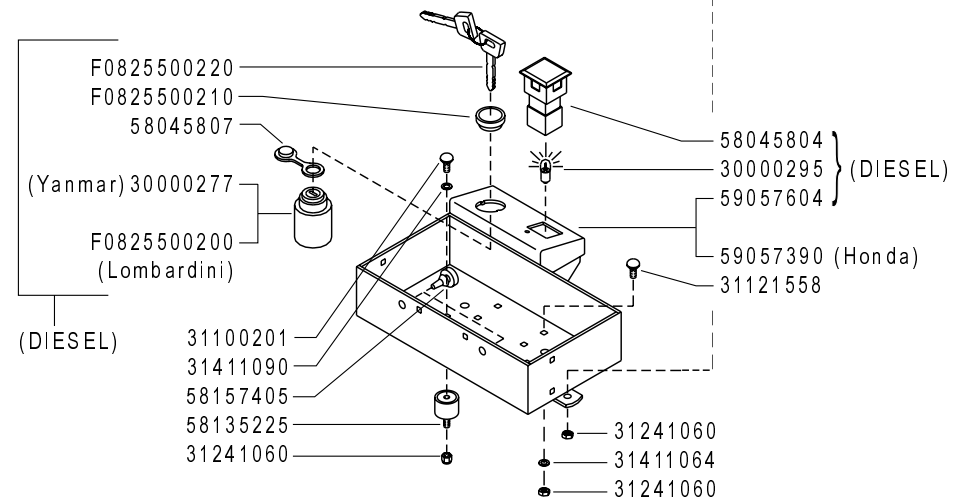
DIESEL



- 56149590 (DIESEL)
- 56157387 (Honda)
- 56137370 (DIESEL)
- 56119937 (Honda)
- 58057610 (DIESEL)
- 58057386 (Yanmar)
- 58047460 (Honda)
- 58049541 (Lombardini)
- 12V 14:16Ah  
(mm 160x90x161)
- 12V 33Ah  
(mm 232x130x167)  
(DIESEL)

A	B	C	D
MOTORINO D'AVVIAMENTO STARTER DÉMARREUR MOT. DEARRANQUE ANLASSMOTOR	GENERATORE GENERATOR GÉNÉRATEUR GENERADOR GENERATOR	REGOLATORE REGULATOR RÉGULATEUR REGULADOR REGLER	FUSIBILI FUSES FUSIBLES FUSIBLES SCHMELZSICHERUNGEN

E	F	G	H	I
BATTERIA BATTERY BATTERIE BATERIA BATERIE	INTERRUTTORE SWITCH INTERRUPTEUR INTERRUPTOR SCHALTER	SPIA CARICA BATTERIA BATTERY LONG WARN. LIGHT TEMOIN CHARG. BATTERIE LUZ CARGA BATERIA BATTERIELADUNG KTRL. LAMPE	SOLENOIDE SOLENOID SOLÉNOÏDE SOLENOIDE SOLENOID	DIODO DIODE DIODE DIODE DIODE



- F0825500220
- F0825500210
- 58045807
- (Yanmar) 30000277
- F0825500200  
(Lombardini)
- (DIESEL)
- 58045804
- 30000295
- 59057604
- 59057390 (Honda)
- 31121558
- 31100201
- 31411090
- 58157405
- 58135225
- 31241060
- 31241060
- 31411064
- 31241060

**FERRARI**

**300** serie **PS**  
**PowerSafe**®

**AVVIAMENTO ELETTRICO**

ELECTRIC STARTER  
ARRANQUE ELECTRICO

DÉMARRAGE ELECTRIQUE  
ELEKTROSTART

DALLA MACCHINA  
FROM THE MACHINE  
DE LA MACHINE  
DE LA MAQUINA  
AB DER MASCHINE

N.

**Q01** 0

05/2009

Rev.

ZENNE

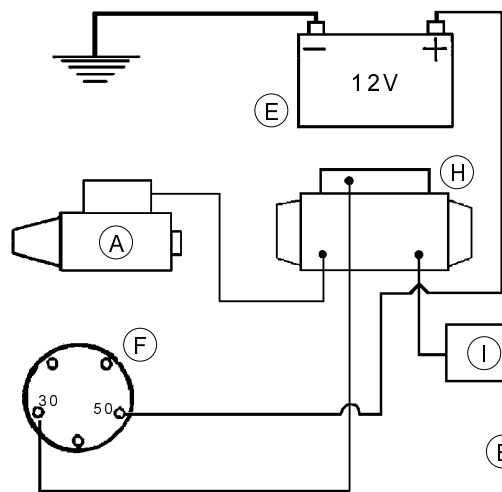
Pos.	Code	Q.ty	Description	Notes
30000277	30000277	1	SWITCH	
30000295	30000295	1	LAMP	
31100201	31100201	1	SCREW TTQ M6X12 UNI 5731	
31121558	31121558	0	SCREW TTQ M6X16 UNI 5731	
31241060	31241060	1	HEXAGON SELFLOCK NUT M6	
31411064	31411064	1	WASHER 6,4x12,5	
31411090	31411090	1	WASHER 9x24	
56119937	56119937	1	BATTERY SUPPORT	
56137370	56137370	1	BATTERY BRACKET	
56149590	56149590	1	BATTERY BRACKET	
56157387	56157387	1	ROD	
58045804	58045804	1	WARNING LIGHT	
58045807	58045807	1	LOCK COVER	
58047460	58047460	1	WIRING	
58049541	58049541	1	WIRING	
58057386	58057386	1	WIRING	
58057610	58057610	1	BOX	
58135225	58135225	0	VIBRATION-DAMPING	
58157405	58157405	1	PLUG	
59057390	59057390	1	BOX	
59057604	59057604	1	BOX	
F0825500	F0825500200	1	CHANGE-OVER SWITCH	
F0825500	F0825500210	1	RING NUT	
F0825500	F0825500220	1	KEY	

SERIAL

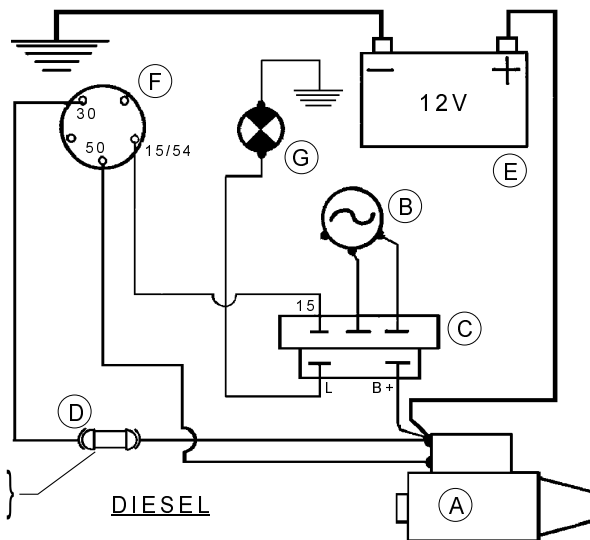
**Q01\_00 - ELECTRIC STARTER**

CODE REV

**Q01\_0\_67569**

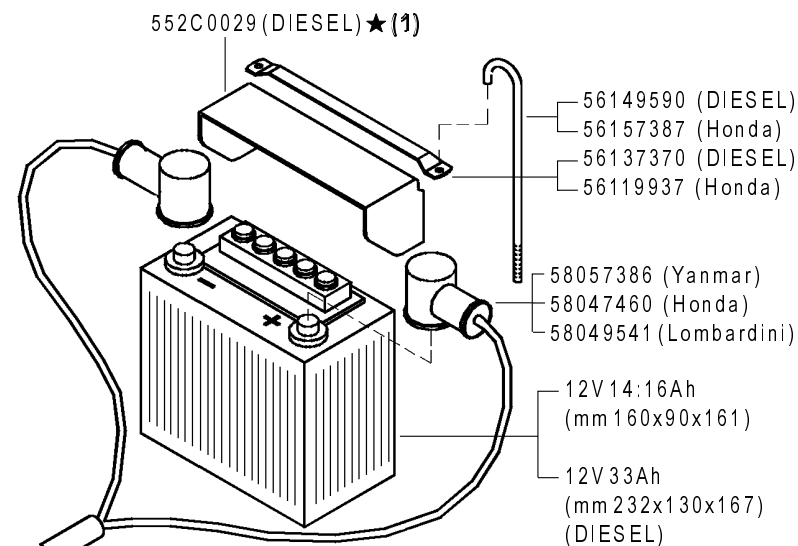


HONDA



(Yanmar) 15A  
(Lombardini) 25A

DIESEL



56149590 (DIESEL)  
56157387 (Honda)  
56137370 (DIESEL)  
56119937 (Honda)

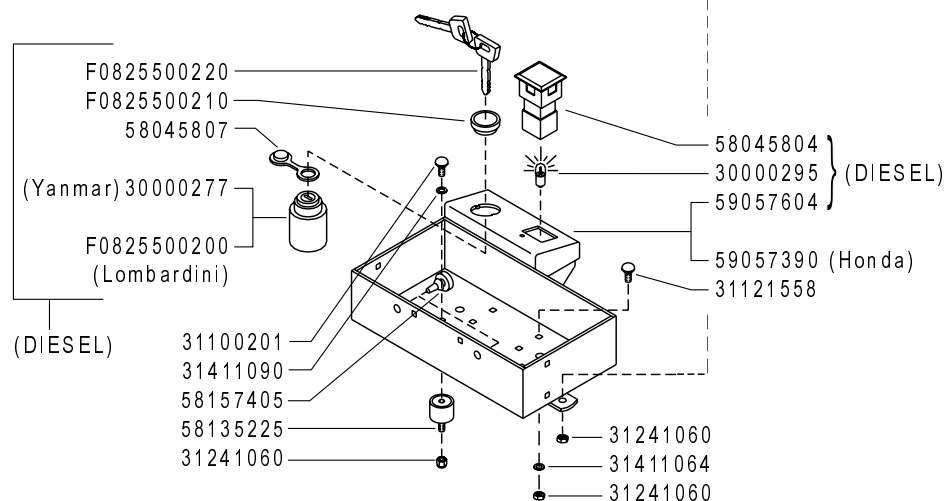
58057386 (Yanmar)  
58047460 (Honda)  
58049541 (Lombardini)

12V 14:16Ah  
(mm 160x90x161)

12V 33Ah  
(mm 232x130x167)  
(DIESEL)

A	B	C	D
MOTORINO D'AVVIAMENTO STARTER DÉMARREUR MOT. DE ARRANQUE ANLASSMOTOR	GENERATORE GENERATOR GÉNÉRATEUR GENERADOR GENERATOR	REGOLATORE REGULATOR RÉGULATEUR REGULADOR REGLER	FUSIBILI FUSES FUSIBLES FUSIBLES SCHMELZSICHERUNGEN

E	F	G	H	I
BATTERIA BATTERY BATTERIE BATERIA BATERIE	INTERRUTTORE SWITCH INTERRUPTEUR INTERRUPTOR SCHALTER	SPIA CARICA BATTERIA BATTERY LONG WARN. LIGHT TEMOIN CHARG. BATTERIE LUZ CARGA BATERIA BATTERIE LADUNG KTRL. LAMPE	SOLENOIDE SOLENOID SOLÉNOÏDE SOLENOIDE SOLENOID	DIODO DIODE DIODE DIODE DIODE



F0825500220  
F0825500210  
58045807

(Yanmar) 30000277

F0825500200  
(Lombardini)

(DIESEL)

31100201  
31411090  
58157405  
58135225  
31241060

58045804  
30000295  
59057604 } (DIESEL)  
59057390 (Honda)  
31121558

31241060  
31411064  
31241060

(1) sostituisce 58057610

**FERRARI**

**300** serie **PS**  
PowerSafe®

**AVVIAMENTO ELETTRICO**

ELECTRIC STARTER  
ARRANQUE ELECTRICO

DÉMARRAGE ELECTRIQUE  
ELEKTROSTART

DALLA MACCHINA  
FROM THE MACHINE  
DE LA MACHINE  
DE LA MAQUINA  
AB DER MASCHINE

★ N.

884219

**Q01**

Rev. **1**

**05/2011**

ZENNE

Pos.	Code	Q.ty	Description	Notes
30000277	30000277	1	SWITCH	
30000295	30000295	1	LAMP	
31100201	31100201	1	SCREW TTQ M6X12 UNI 5731	
31121558	31121558	0	SCREW TTQ M6X16 UNI 5731	
31241060	31241060	1	HEXAGON SELFLOCK NUT M6	
31411064	31411064	1	WASHER 6,4x12,5	
31411090	31411090	1	WASHER 9x24	
552C0029	552C0029	1	COVER	
56119937	56119937	1	BATTERY SUPPORT	
56137370	56137370	1	BATTERY BRACKET	
56149590	56149590	1	BATTERY BRACKET	
56157387	56157387	1	ROD	
58045804	58045804	1	WARNING LIGHT	
58045807	58045807	1	LOCK COVER	
58047460	58047460	1	WIRING	
58049541	58049541	1	WIRING	
58057386	58057386	1	WIRING	
58135225	58135225	0	VIBRATION-DAMPING	
58157405	58157405	1	PLUG	
59057390	59057390	1	BOX	
59057604	59057604	1	BOX	
F0825500	F0825500200	1	CHANGE-OVER SWITCH	
F0825500	F0825500210	1	RING NUT	
F0825500	F0825500220	1	KEY	

SERIAL  
START  
**884219**

**Q01\_01 - ELECTRIC STARTER**

CODE REV  
**Q01\_1\_81859**



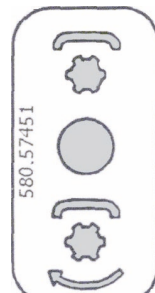
580.56864



580.56866



580.57746



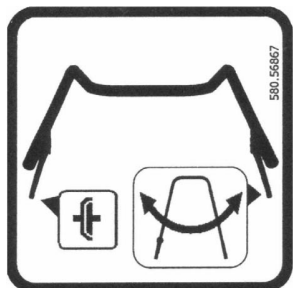
580.57451



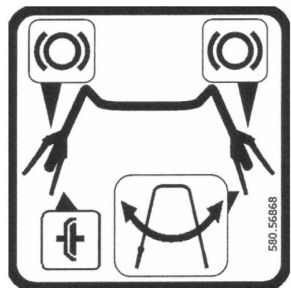
580.57676



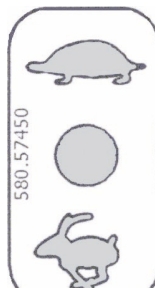
580.57724



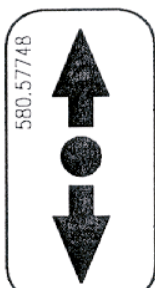
580.56867



580.56868



580.57450



580.57748



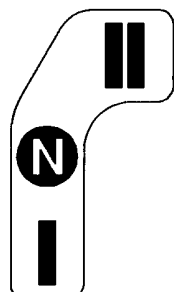
580.57677



580.57767



580.56869

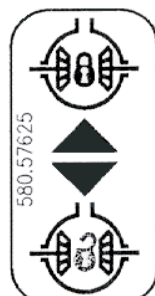


580.57732



580.57747

580.57747



580.57625



580.93089

580.93089



580.57768

**FERRARI**

**300** serie **PS**  
**PowerSafe**®

**ADESIVE**

STICKERS  
ADHESIVOS

AUTOCOLLANTS  
AUFKLEBES

DALLA MACCHINA  
FROM THE MACHINE  
DE LA MACHINE  
DE LA MAQUINA  
AB DER MASCHINE

N.

**R01** 0

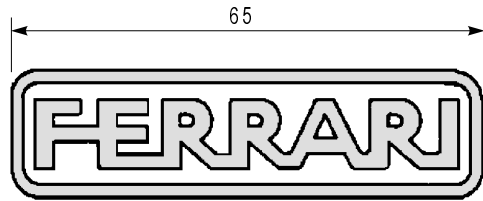
05/2009

Rev.

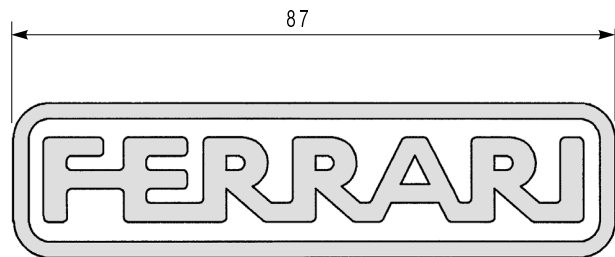
ZENNE



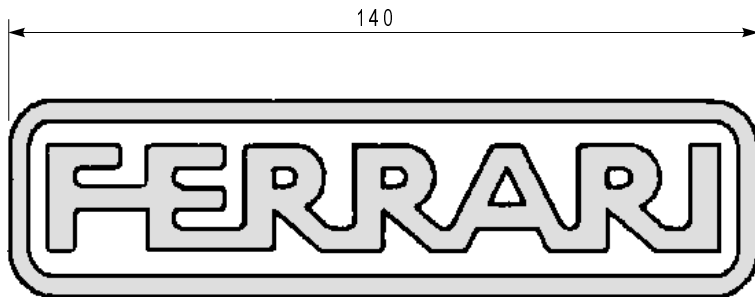
Pos.	Code	Q.ty	Description	Notes
58056864	58056864	1	DECAL	
58056866	58056866	1	DECAL	
58056867	58056867	1	DECAL	
58056868	58056868	1	DECAL	
58056869	58056869	1	DECAL	
58057450	58057450	1	DECAL	
58057451	58057451	1	DECAL	
58057625	58057625	1	DECAL	
58057676	58057676	1	DECAL	
58057677	58057677	1	DECAL	
58057724	58057724	1	DECAL	
58057732	58057732	1	DECAL	
58057746	58057746	1	DECAL	
58057747	58057747	1	DECAL	
58057748	58057748	1	DECAL	
58057767	58057767	1	DECAL	
58057768	58057768	1	DECAL	
58093089	58093089	1	DECAL	



58052156



58052019



58052029



53057666

**310**

58052037

**320**

58052038

**330**

58052039

**340**

58052047

**346**

58052152

**FERRARI**

**300** serie **PS**  
PowerSafe®

STICKERS  
ADHESIVOS

**ADESIVE**

AUTOCOLLANTS  
AUFKLEBES

DALLA MACCHINA  
FROM THE MACHINE  
DE LA MACHINE  
DE LA MAQUINA  
AB DER MASCHINE

N.

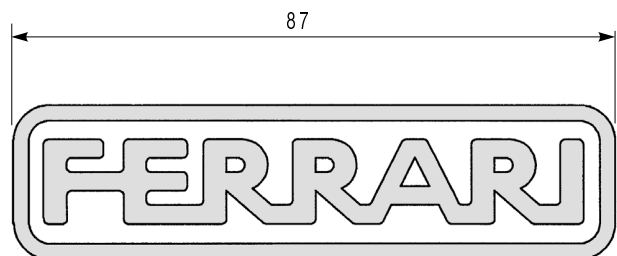
**R02** 0

05/2009

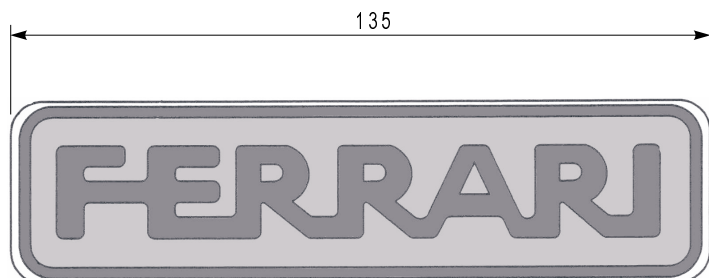
Rev.

ZENNE

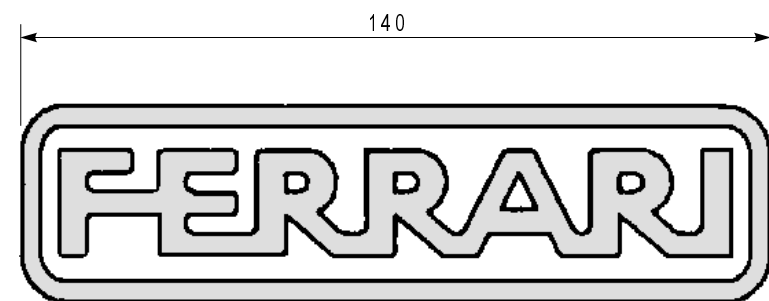
Pos.	Code	Q.ty	Description	Notes
53057666	53057666	1	POWERSAFE BRAND	
58052019	58052019	1	DECAL	
58052029	58052029	1	DECAL	
58052037	58052037	1	DECAL	
58052038	58052038	1	DECAL	
58052039	58052039	1	DECAL	
58052047	58052047	1	DECAL	
58052152	58052152	1	DECAL	
58052156	58052156	1	DECAL	



58052019



53052176 ★



58052029



53057666



58052037



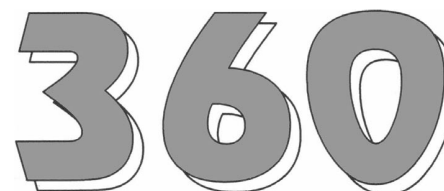
58052038



58052039



58052047



58052191 ★



58052152

**FERRARI**

**300** serie **PS**  
PowerSafe®

STICKERS  
ADHESIVOS

**ADESIVE**

AUTOCOLLANTS  
AUFKLEBES

DALLA MACCHINA  
FROM THE MACHINE  
DE LA MACHINE  
DE LA MAQUINA  
AB DER MASCHINE

AGGIORNAMENTO  
REVISION  
MISE A JOUR  
APLAZAMIENTO  
ANPASSUNG

★N.

**R02**

11/2010

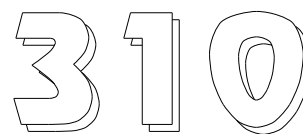
Rev. 1

ZENNE

Pos.	Code	Q.ty	Description	Notes
53052176	53052176	1	BIG FERRARI BRAND	
53057666	53057666	1	POWERSAFE BRAND	
58052019	58052019	1	DECAL	
58052029	58052029	1	DECAL	
58052037	58052037	1	DECAL	
58052038	58052038	1	DECAL	
58052039	58052039	1	DECAL	
58052047	58052047	1	DECAL	
58052152	58052152	1	DECAL	
58052191	58052191	1	DECAL	

**PowerSafe** ®

1



6



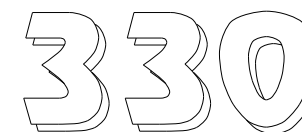
7

**EasyDrive** ®

2



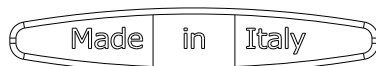
8



9



3



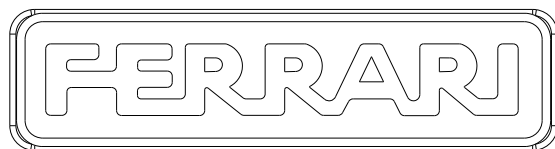
4



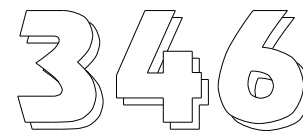
10



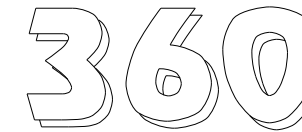
11



5

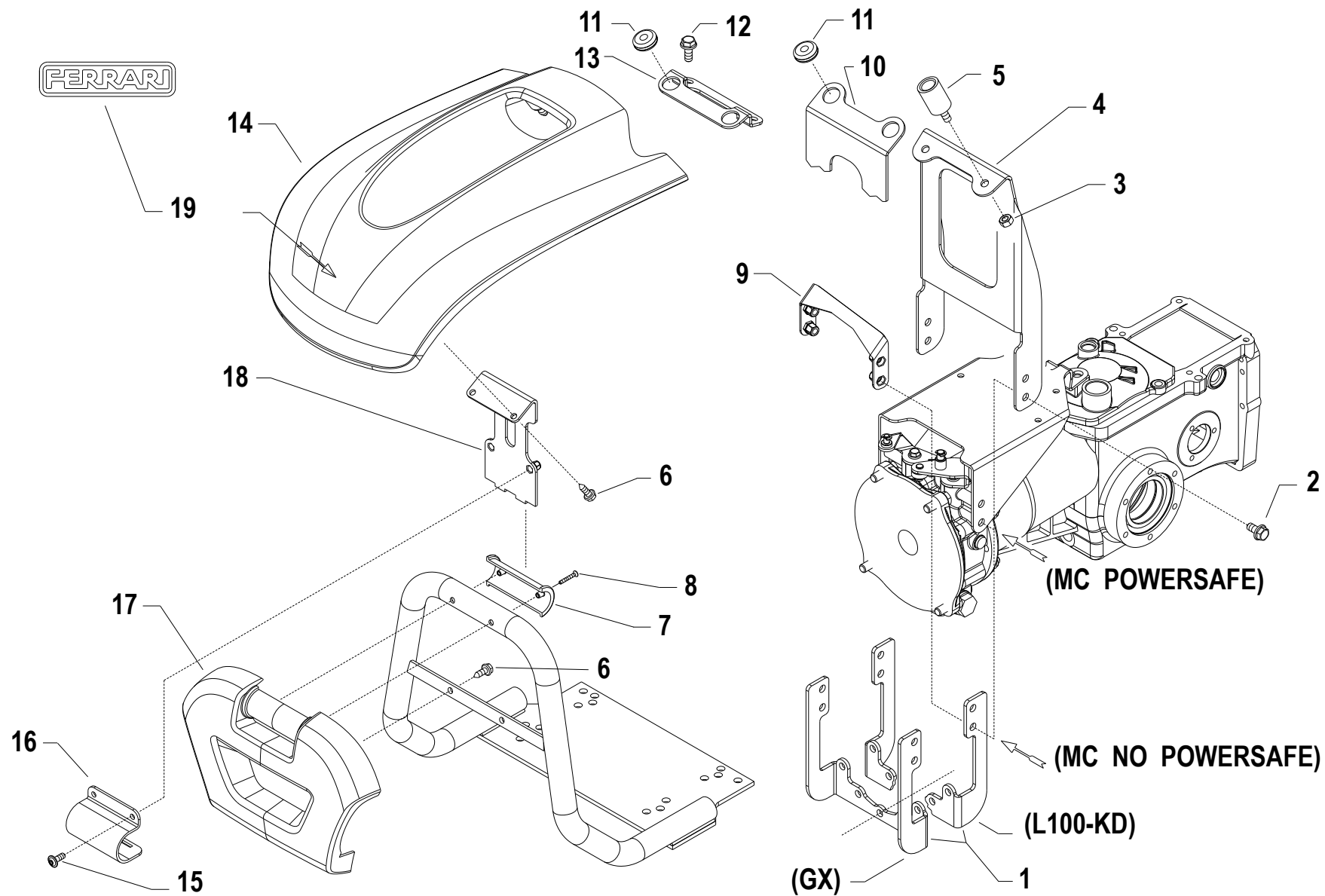


12



13

<b>Pos.</b>	<b>Code</b>	<b>Q.ty</b>	<b>Description</b>	<b>Notes</b>
1	53057666	1	POWERSAFE BRAND	
2	53057670	1	DECAL	
3	53052175	1	MEDIUM FERRARI BRAND	
4	530C0056	1	DECAL	
5	53052176	1	BIG FERRARI BRAND	
6	58052178	1	DECAL	
7	58052179	1	DECAL	
8	58052193	1	DECAL	
9	58052180	1	DECAL	
10	58052192	1	DECAL	
11	58052181	1	DECAL	
12	58052182	1	DECAL	
13	58052191	1	DECAL	



**i** = info - stop 2 sec. ★ = new part



Pos.	Code	Q.ty	Description	Notes
1	56157515N		HOLDER	
2	31112170		SCREW TE C/F M8X20 DIN 6921	
3	31211080		NUT M8	
4	56157516N		SUPPORT	L100
4	56157498N		SUPPORT	KD440
4	56157499N		SUPPORT	KD350 - GX340 - GX390 - POWERSAFE
4	56157513N		SUPPORT	GX270
5	58042111		STOPPER	
6	31510100		RIBBED SCREW 6,3X19 UNI 6950	
7	55252504		HALF BEARING	
8	31100451		SCREW 3,5X25	
9	59257488		SUPPORT	NO POWERSAFE SERIES
10	56157495N		SUPPORT	KD350
11	58056991		CABLE GLAND	
12	31112171		SCREW TE C/F M8X16 DIN 6921	3LD510
13	561C0078N		REAR SUPPORT	3LD510
14	55252502		BONNET	
15	31121018		SCREW TBCEI FLANG. M6X16	
16	56157519N		RH HINGE	
17	55252503		FREGIO ANT.MC 2010 FERRARI	
18	59257517		PLATE	KD440 - L100
18	59257523		PLATE	KD350 - GX
18	592C0080		PLATE	3LD510
19	53052175		MEDIUM FERRARI BRAND	

# SPARE PARTS INSTANCE INDEX





## SPARE PARTS INSTANCE INDEX

Code	Parts Table	Pos.	Q.ty	Code	Parts Table	Pos.	Q.ty	Code	Parts Table	Pos.	Q.ty
30000197	B.01.01.A0001_03	9	1	31112085	A.01.01.A0003_01	10	1	31121020	K01_0_67213	31121020	1
	B01_0_66748	30000197	1		A.01.01.A0003_02	8			L01_0_67298	31121020	1
	B01_1_72788	30000197	1		A01_0_66711	31112085	1	31121024	L01_0_67298	31121024	1
30000277	Q01_0_67569	30000277	1	31112089	K01_0_67213	31112089	1	31121558	Q01_0_67569	31121558	0
	Q01_1_81859	30000277	1	31112090	L01_0_67298	31112090	1		Q01_1_81859	31121558	0
30000295	Q01_0_67569	30000295	1		N.01.01.A0003_01	3	1	31132562	G01_0_66844	31132562	1
	Q01_1_81859	30000295	1		N01_0_67516	31112090	1	31152060	B.01.01.A0001_03	24	1
30010103	K01_0_67213	30010103	1	31112099	D.01.01.A0001_02	2	1		B01_0_66748	31152060	1
30040133	G01_0_66844	30040133	1		D01_0_66794	31112099	1		B01_1_72788	31152060	1
31100015	F01_0_66821	31100015	1		D01_1_77361	31112099	1		B01_2_77329	31152060	1
	F01_1_77388	31100015	1	31112150	M01_0_67400	31112150	1	31152063	B.01.01.A0001_03	1	1
31100023	E01_0_66804	31100023	1	31112154	A.01.01.A0003_01	1	1		B01_0_66748	31152063	1
	E01_1_77371	31100023	1		A.01.01.A0003_02	11			B01_1_72788	31152063	1
31100029	E01_0_66804	31100029	1		A.01.01.A0003_03	10			B01_2_77329	31152063	1
	E01_1_77371	31100029	1		A01_0_66711	31112154	1	31152081	A.01.01.A0003_02	1	
31100031	E01_0_66804	31100031	1	31112165	K01_0_67213	31112165	1		A.01.01.A0003_03	1	
	E01_1_77371	31100031	1	31112166	I01_0_67010	31112166	1	31152085	N.01.01.A0003_01	5	1
31100201	Q01_0_67569	31100201	1	31112167	I01_0_67010	31112167	1		N01_0_67516	31152085	1
	Q01_1_81859	31100201	1	31112170	S.01.01.A0027_00	2		31152090	E01_0_66804	31152090	1
31100451	A.01.01.A0003_01	12	1	31112171	A.01.01.A0003_01	4	1		E01_1_77371	31152090	1
	A.01.01.A0003_02	15			A.01.01.A0003_02	4		31201212	M01_0_67400	31201212	1
	A.01.01.A0003_03	14			A.01.01.A0003_03	4		31211080	L01_0_67298	31211080	1
	L01_0_67298	31100451	1		A01_0_66711	31112171	1		S.01.01.A0027_00	3	
	M01_0_67400	31100451	1		S.01.01.A0027_00	12		31211100	I01_0_67010	31211100	1
	S.01.01.A0027_00	8		31112210	H.01.01.A0003_01	28	1		P01_0_67539	31211100	1
31104022	F01_0_66821	31104022	1		H01_0_66868	31112210	1		P01_1_81340	31211100	1
	F01_1_77388	31104022	1	31112217	J01_0_67154	31112217	1	31221121	G.01.01.A0003_01	8	1
31112081	A.01.01.A0003_03	7			K01_0_67213	31112217	1		G01_0_66844	31221121	1
31112083	G.01.01.A0003_01	1	1	31112294	J01_0_67154	31112294	1	31241042	L01_0_67298	31241042	1
	G01_0_66844	31112083	1	31121008	A.01.01.A0003_01	7	1	31241060	A.01.01.A0003_01	3	1
31112084	B.01.01.A0001_03	16	1		A.01.01.A0003_02	7			A.01.01.A0003_02	3	
	B01_0_66748	31112084	1		A.01.01.A0003_03	6			A01_0_66711	31241060	1
	B01_1_72788	31112084	1		A01_0_66711	31121008	1		K01_0_67213	31241060	1
	B01_2_77329	31112084	1	31121018	S.01.01.A0027_00	15			Q01_0_67569	31241060	1



## SPARE PARTS INSTANCE INDEX

Code	Parts Table	Pos.	Q.ty	Code	Parts Table	Pos.	Q.ty	Code	Parts Table	Pos.	Q.ty
31241060	Q01_1_81859	31241060	1	31312125	G.01.01.A0003_01	6	1	31510100	A.01.01.A0003_01	14	1
31241065	K01_0_67213	31241065	1		G01_0_66844	31312125	1		A.01.01.A0003_02	13	
31241066	A.01.01.A0003_03	3		31411064	Q01_0_67569	31411064	1		A.01.01.A0003_03	12	
31241080	K01_0_67213	31241080	1		Q01_1_81859	31411064	1		A01_0_66711	31510100	1
	M01_0_67400	31241080	1	31411090	Q01_0_67569	31411090	1		S.01.01.A0027_00	6	
31241083	F01_0_66821	31241083	1		Q01_1_81859	31411090	1	34110028	M01_0_67400	34110028	1
	F01_1_77388	31241083	1	31411104	M01_0_67400	31411104	1	34211025	H.01.01.A0003_01	15	1
31241084	A.01.01.A0003_01	2	1	31414130	M01_0_67400	31414130	1		H01_0_66868	34211025	1
	A.01.01.A0003_02	2		31421083	E01_0_66804	31421083	1	34211028	J01_0_67154	34211028	1
	A.01.01.A0003_03	2			E01_1_77371	31421083	1	34211041	J01_0_67154	34211041	1
	A01_0_66711	31241084	1	31421101	H.01.01.A0003_01	30	1	34213020	M01_0_67400	34213020	1
	G.01.01.A0003_01	5	1		H01_0_66868	31421101	1	34213022	M01_0_67400	34213022	1
	G01_0_66844	31241084	1	31421130	I01_0_67010	31421130	1	34213024	M01_0_67400	34213024	1
	L01_0_67298	31241084	1		J01_0_67154	31421130	1	34213060	H.01.01.A0003_01	21	1
	M01_0_67400	31241084	1	31421132	G.01.01.A0003_01	7	1		H01_0_66868	34213060	1
31241100	J01_0_67154	31241100	1		G01_0_66844	31421132	1	34213061	H.01.01.A0003_01	9	1
	K01_0_67213	31241100	1		M01_0_67400	31421132	1		H01_0_66868	34213061	1
31241120	I01_0_67010	31241120	1	31423084	F01_0_66821	31423084	1		M01_0_67400	34213061	1
	J01_0_67154	31241120	1		F01_1_77388	31423084	1	34221040	B.01.01.A0001_03	5	1
31312073	F01_0_66821	31312073	1		M01_0_67400	31423084	1		B01_0_66748	34221040	1
	F01_1_77388	31312073	1	31423105	I01_0_67010	31423105	1		B01_1_72788	34221040	1
31312082	G.01.01.A0003_01	13	1		J01_0_67154	31423105	1		B01_2_77329	34221040	1
	G01_0_66844	31312082	1		K01_0_67213	31423105	1	34221070	J01_0_67154	34221070	1
	M01_0_67400	31312082	1		P01_0_67539	31423105	1	34311060	I01_0_67010	34311060	1
31312086	G.01.01.A0003_01	11	1		P01_1_81340	31423105	1	35111029	E01_0_66804	35111029	1
	G01_0_66844	31312086	1	31480180	B01_0_66748	31480180	1		E01_1_77371	35111029	1
31312094	G.01.01.A0003_01	3	1		B01_1_72788	31480180	1	35111052	H.01.01.A0003_01	24	1
	G01_0_66844	31312094	1	31480184	B.01.01.A0001_03	10	1		H01_0_66868	35111052	1
31312097	F01_0_66821	31312097	1		B01_0_66748	31480184	1		I01_0_67010	35111052	1
	F01_1_77388	31312097	1		B01_1_72788	31480184	1	35111055	H.01.01.A0003_01	6	1
31312102	I01_0_67010	31312102	1		B01_2_77329	31480184	1		H01_0_66868	35111055	1
31312103	P01_0_67539	31312103	1		G.01.01.A0003_01	10	1	35121031	H.01.01.A0003_01	4	1
	P01_1_81340	31312103	1		G01_0_66844	31480184	1		H01_0_66868	35121031	1
31312124	G01_0_66844	31312124	1	31510099	A01_0_66711	31510099	1	35211050	B.01.01.A0001_03	17	1



## SPARE PARTS INSTANCE INDEX

Code	Parts Table	Pos.	Q.ty	Code	Parts Table	Pos.	Q.ty	Code	Parts Table	Pos.	Q.ty
35211050	B01_0_66748	35211050	1	38110873	F01_0_66821	38110873	1	39115010	P01_0_67539	39115010	1
	B01_1_72788	35211050	1		F01_1_77388	38110873	1		P01_1_81340	39115010	1
	B01_2_77329	35211050	1	38111191	M01_0_67400	38111191	1	39115012	P01_0_67539	39115012	1
35211060	B.01.01.A0001_03	15	1	38111872	E01_0_66804	38111872	1		P01_1_81340	39115012	1
	B01_0_66748	35211060	1		E01_1_77371	38111872	1	39116018	P01_0_67539	39116018	1
	B01_1_72788	35211060	1	38118859	C.01.01.A0001_02	1	1		P01_1_81340	39116018	1
	B01_2_77329	35211060	1		C01_0_66780	38118859	1	39116020	P01_0_67539	39116020	1
35211120	H.01.01.A0003_01	31	1		C01_1_72820	38118859	1		P01_1_81340	39116020	1
	H01_0_66868	35211120	1	38119823	F01_0_66821	38119823	1	39414008	P01_0_67539	39414008	1
37111150	H.01.01.A0003_01	1	1		F01_1_77388	38119823	1		P01_1_81340	39414008	1
	H01_0_66868	37111150	1	38120500	C.01.01.A0001_02	9	1	39414010	P01_0_67539	39414010	1
37111152	H.01.01.A0003_01	29	1		C01_0_66780	38120500	1		P01_1_81340	39414010	1
	H01_0_66868	37111152	1		C01_1_72820	38120500	1	39415010	P01_0_67539	39415010	1
37111250	I01_0_67010	37111250	1	38140850	C.01.01.A0001_02	11	1		P01_1_81340	39415010	1
37111255	H.01.01.A0003_01	22	1		C01_0_66780	38140850	1	39415012	P01_0_67539	39415012	1
	H01_0_66868	37111255	1		C01_1_72820	38140850	1		P01_1_81340	39415012	1
37112229	H.01.01.A0003_01	5	1	38211400	B.01.01.A0001_03	19	1	39416018	P01_0_67539	39416018	1
	H01_0_66868	37112229	1		B01_0_66748	38211400	1		P01_1_81340	39416018	1
37141253	C.01.01.A0001_02	7	1		B01_1_72788	38211400	1	39416020	P01_0_67539	39416020	1
	C01_0_66780	37141253	1		B01_2_77329	38211400	1		P01_1_81340	39416020	1
	C01_1_72820	37141253	1		M01_0_67400	38211400	1	51156214	B.01.01.A0001_03	2	1
37161500	C.01.01.A0001_02	3	1	38212500	F01_0_66821	38212500	1		B01_0_66748	51156214	1
	C01_0_66780	37161500	1		F01_1_77388	38212500	1		B01_1_72788	51156214	1
	C01_1_72820	37161500	1	38212502	I01_0_67010	38212502	1		B01_2_77329	51156214	1
37320120	H.01.01.A0003_01	18	1	38213202	F01_0_66821	38213202	1	52156825N	I01_0_67010	52156825	1
	H01_0_66868	37320120	1		F01_1_77388	38213202	1	52357250	M01_0_67400	52357250	1
37910832	H.01.01.A0003_01	13	1	38213500	F01_0_66821	38213500	1	52456211	C01_0_66780	52456211	1
	H01_0_66868	37910832	1		F01_1_77388	38213500	1	52456217	B.01.01.A0001_03	3	1
37911532	M01_0_67400	37911532	1	38213800	H.01.01.A0003_01	7	1		B01_0_66748	52456217	1
38110675	E01_0_66804	38110675	1		H01_0_66868	38213800	1		B01_1_72788	52456217	1
	E01_1_77371	38110675	1	39114008	P01_0_67539	39114008	1		B01_2_77329	52456217	1
38110873	D.01.01.A0001_02	4	1		P01_1_81340	39114008	1	52456220	B.01.01.A0001_03	20	1
	D01_0_66794	38110873	1	39114010	P01_0_67539	39114010	1		B01_0_66748	52456220	1
	D01_1_77361	38110873	1		P01_1_81340	39114010	1		B01_1_72788	52456220	1



## SPARE PARTS INSTANCE INDEX

Code	Parts Table	Pos.	Q.ty	Code	Parts Table	Pos.	Q.ty	Code	Parts Table	Pos.	Q.ty
52456220	B01_2_77329	52456220	1	52456694	C.01.01.A0001_02	6	1	53156218	C01_1_72820	53156218	1
52456223	B.01.01.A0001_03	4	1		C01_1_72820	52456694	1	53156332V	G.01.01.A0003_01	4	1
	B01_0_66748	52456223	1	52456706	H.01.01.A0003_01	3	1		G01_0_66844	53156332	1
	B01_1_72788	52456223	1	53052175	R.02.01.A0003_02	3	1	53156342V	G01_0_66844	53156342	1
	B01_2_77329	52456223	1		S.01.01.A0027_00	19		53156659	D.01.01.A0001_02	3	1
52456233	E01_0_66804	52456233	1	53052176	R.02.01.A0003_02	5	1	53156826N	I01_0_67010	53156826	1
	E01_1_77371	52456233	1		R02_1_82042	53052176	1	53156860	L01_0_67298	53156860	1
52456234	E01_0_66804	52456234	1	53057666	R.02.01.A0003_02	1	1	532C0055	F01_1_77388	532C005	1
	E01_1_77371	52456234	1		R02_0_67613	53057666	1	54143090	I01_0_67010	54143090	1
52456235	B.01.01.A0001_03	29	1		R02_1_82042	53057666	1	55102678	G.01.01.A0003_01	14	1
	B01_0_66748	52456235	1	53057670	R.02.01.A0003_02	2	1		G01_0_66844	55102678	1
	B01_1_72788	52456235	1	530C0056	R.02.01.A0003_02	4	1	55157212	L01_0_67298	55157212	1
	B01_2_77329	52456235	1	53143128V	G.01.01.A0003_01	18	1		M01_0_67400	55157212	1
52456236	F01_0_66821	52456236	1		G01_0_66844	53143128	1	55157213	L01_0_67298	55157213	1
	F01_1_77388	52456236	1	53143712	P01_0_67539	53143712	1		M01_0_67400	55157213	1
52456237	F01_0_66821	52456237	1		P01_1_81340	53143712	1	55242528	M01_0_67400	55242528	1
	F01_1_77388	52456237	1	53143875V	G.01.01.A0003_01	18	1	55243340	K01_0_67213	55243340	1
52456243	E01_0_66804	52456243	1		G01_0_66844	53143875	1	55248379	M01_0_67400	55248379	1
	E01_1_77371	52456243	1	53156203V	G.01.01.A0003_01	16	1	55251686	J01_0_67154	55251686	1
52456245	E01_0_66804	52456245	1		G01_0_66844	53156203	1	55251688	J01_0_67154	55251688	1
	E01_1_77371	52456245	1	53156205	F01_0_66821	53156205	1	55252405	A.01.01.A0003_01	17	1
52456335	H.01.01.A0003_01	8	1		F01_1_77388	53156205	1		A.01.01.A0003_02	19	
	H01_0_66868	52456335	1	53156206	F01_0_66821	53156206	1		A.01.01.A0003_03	18	
52456339	H.01.01.A0003_01	27	1		F01_1_77388	53156206	1		A01_0_66711	55252405	1
	H01_0_66868	52456339	1	53156207	F01_0_66821	53156207	1	55252406	A.01.01.A0003_01	16	1
52456354	H.01.01.A0003_01	25	1		F01_1_77388	53156207	1		A.01.01.A0003_02	18	
	H01_0_66868	52456354	1	53156209	D.01.01.A0001_02	3	1		A.01.01.A0003_03	17	
52456356	H.01.01.A0003_01	26	1		D01_0_66794	53156209	1		A01_0_66711	55252406	1
	H01_0_66868	52456356	1		D01_1_77361	53156209	1	55252415	A01_0_66711	55252415	1
52456362	H01_0_66868	52456362	1	53156210	C.01.01.A0001_02	8	1	55252502	S.01.01.A0027_00	14	
52456389	H.01.01.A0003_01	20	1		C01_0_66780	53156210	1	55252503	A.01.01.A0003_01	15	1
	H01_0_66868	52456389	1		C01_1_72820	53156210	1		A.01.01.A0003_02	17	
52456390	H.01.01.A0003_01	11	1	53156218	C.01.01.A0001_02	10	1		A.01.01.A0003_03	16	
	H01_0_66868	52456390	1		C01_0_66780	53156218	1		S.01.01.A0027_00	17	



## SPARE PARTS INSTANCE INDEX

Code	Parts Table	Pos.	Q.ty	Code	Parts Table	Pos.	Q.ty	Code	Parts Table	Pos.	Q.ty
55252504	A.01.01.A0003_02	14		56156224	B01_2_77329	56156224	1	56157498N	S.01.01.A0027_00	4	
	A.01.01.A0003_03	13		56156246N	A.01.01.A0003_01	6	1	56157499N	S.01.01.A0027_00	4	
	S.01.01.A0027_00	7			A.01.01.A0003_02	6		56157513N	S.01.01.A0027_00	4	
55256185	K01_0_67213	55256185	1		A.01.01.A0003_03	5		56157515N	S.01.01.A0027_00	1	
55256197	L01_0_67298	55256197	1		A01_0_66711	56156246	1	56157516N	S.01.01.A0027_00	4	
55256228	B.01.01.A0001_03	13	1	56156247	C.01.01.A0001_02	4	1	56157519N	S.01.01.A0027_00	16	
	B01_0_66748	55256228	1		C01_0_66780	56156247	1	561C0078N	S.01.01.A0027_00	13	
	B01_1_72788	55256228	1		C01_1_72820	56156247	1	56343058	I01_0_67010	56343058	1
	B01_2_77329	55256228	1	56156276	F01_0_66821	56156276	1	56347870Z	E01_0_66804	56347870	1
55256835	L01_0_67298	55256835	1		F01_1_77388	56156276	1		E01_1_77371	56347870	1
55256836	L01_0_67298	55256836	1	56156281	F01_0_66821	56156281	1	56347873	E01_0_66804	56347873	1
55257313	M01_0_67400	55257313	1		F01_1_77388	56156281	1		E01_1_77371	56347873	1
55257321	M01_0_67400	55257321	1	56156288Z	E01_0_66804	56156288	1	56351685Z	J01_0_67154	56351685	1
55257522	A.01.01.A0003_01	13	1		E01_1_77371	56156288	1	56356184Z	K01_0_67213	56356184	1
552C0029	Q01_1_81859	552C002	1	56156603Z	K01_0_67213	56156603	1	56356212	C01_0_66780	56356212	1
552C1001	A.01.01.A0003_03	8		56156658	B.01.01.A0001_03	26	1	56356215	C01_0_66780	56356215	1
56119937	Q01_0_67569	56119937	1		B01_0_66748	56156658	1	56356216	C.01.01.A0001_02	2	1
	Q01_1_81859	56119937	1		B01_1_72788	56156658	1		C01_0_66780	56356216	1
56137370	Q01_0_67569	56137370	1		B01_2_77329	56156658	1		C01_1_72820	56356216	1
	Q01_1_81859	56137370	1	56156818N	M01_0_67400	56156818	1	56356239	F01_0_66821	56356239	1
56143059	I01_0_67010	56143059	1	56156819N	M01_0_67400	56156819	1		F01_1_77388	56356239	1
56147520Z	G.01.01.A0003_01	2	1	56156827N	I01_0_67010	56156827	1	56356240	F01_0_66821	56356240	1
	G01_0_66844	56147520	1	56156832Z	L01_0_67298	56156832	1		F01_1_77388	56356240	1
56148218N	N.01.01.A0003_01	1	1	56156834Z	L01_0_67298	56156834	1	56356242	B.01.01.A0001_03	28	1
	N01_0_67516	56148218	1	56156874N	K01_0_67213	56156874	1		B01_0_66748	56356242	1
56148287	L01_0_67298	56148287	1	56157234H	M01_0_67400	56157234	1		B01_1_72788	56356242	1
56148470N	K01_0_67213	56148470	1	56157271N	M01_0_67400	56157271	1		B01_2_77329	56356242	1
56149590	Q01_0_67569	56149590	1	56157323N	M01_0_67400	56157323	1	56356328	H.01.01.A0003_01	23	1
	Q01_1_81859	56149590	1	56157387	Q01_0_67569	56157387	1		H01_0_66868	56356328	1
56156136Z	A.01.01.A0003_02	12			Q01_1_81859	56157387	1	56356329	H.01.01.A0003_01	23	1
	A.01.01.A0003_03	11		56157399	A.01.01.A0003_01	9	1		H01_0_66868	56356329	1
56156224	B.01.01.A0001_03	23	1		A.01.01.A0003_02	9		56356330	H.01.01.A0003_01	23	1
	B01_0_66748	56156224	1		A01_0_66711	56157399	1		H01_0_66868	56356330	1
	B01_1_72788	56156224	1	56157495N	S.01.01.A0027_00	10		56356331	H.01.01.A0003_01	23	1



## SPARE PARTS INSTANCE INDEX

Code	Parts Table	Pos.	Q.ty	Code	Parts Table	Pos.	Q.ty	Code	Parts Table	Pos.	Q.ty
56356331	H01_0_66868	56356331	1	58043086	H.01.01.A0003_01	10	1	58052047	R02_1_82042	58052047	1
56356348	H.01.01.A0003_01	17	1		H01_0_66868	58043086	1	58052152	R02_0_67613	58052152	1
	H01_0_66868	56356348	1	58043117	G.01.01.A0003_01	17	1		R02_1_82042	58052152	1
56356661	B.01.01.A0001_03	22	1		G01_0_66844	58043117	1	58052156	R02_0_67613	58052156	1
	B01_0_66748	56356661	1	58043250	P01_1_81340	58043250	1	58052178	R.02.01.A0003_02	6	1
	B01_1_72788	56356661	1	58044804	P01_1_81340	58044804	1	58052179	R.02.01.A0003_02	7	1
	B01_2_77329	56356661	1	58045804	Q01_0_67569	58045804	1	58052180	R.02.01.A0003_02	9	1
56356833Z	L01_0_67298	56356833	1		Q01_1_81859	58045804	1	58052181	R.02.01.A0003_02	11	1
56356840Z	L01_0_67298	56356840	1	58045807	Q01_0_67569	58045807	1	58052182	R.02.01.A0003_02	12	1
	N.01.01.A0003_01	4	1		Q01_1_81859	58045807	1	58052191	R.02.01.A0003_02	13	1
	N01_0_67516	56356840	1	58047460	Q01_0_67569	58047460	1		R02_1_82042	58052191	1
56356858Z	L01_0_67298	56356858	1		Q01_1_81859	58047460	1	58052192	R.02.01.A0003_02	10	1
56456347	H.01.01.A0003_01	19	1	58047712	L01_0_67298	58047712	1	58052193	R.02.01.A0003_02	8	1
	H01_0_66868	56456347	1	58048000	K01_0_67213	58048000	1	58052288	P01_0_67539	58052288	1
56456350	H.01.01.A0003_01	14	1	58048009	L01_0_67298	58048009	1	58052326	P01_0_67539	58052326	1
	H01_0_66868	56456350	1	58048214	N.01.01.A0003_01	2	1	58052327	P01_0_67539	58052327	1
56456475	H.01.01.A0003_01	16	1		N01_0_67516	58048214	1	58052328	P01_0_67539	58052328	1
	H01_0_66868	56456475	1	58048215	N.01.01.A0003_01	7	1	58052332	P01_0_67539	58052332	1
56456657	B.01.01.A0001_03	25	1		N01_0_67516	58048215	1		P01_1_81340	58052332	1
	B01_0_66748	56456657	1	58048330	P01_1_81340	58048330	1	58056154	K01_0_67213	58056154	1
	B01_1_72788	56456657	1	58049541	Q01_0_67569	58049541	1	58056155	K01_0_67213	58056155	1
	B01_2_77329	56456657	1		Q01_1_81859	58049541	1	58056186Z	K01_0_67213	58056186	1
56556213	C.01.01.A0001_02	5	1	58050345	K01_0_67213	58050345	1	58056190	K01_0_67213	58056190	1
	C01_0_66780	56556213	1	58052019	R02_0_67613	58052019	1	58056191	K01_0_67213	58056191	1
	C01_1_72820	56556213	1		R02_1_82042	58052019	1	58056192	B01_0_66748	58056192	1
56556282	E01_0_66804	56556282	1	58052029	R02_0_67613	58052029	1		B01_1_72788	58056192	1
	E01_1_77371	56556282	1		R02_1_82042	58052029	1		B01_2_77329	58056192	1
58002538	K01_0_67213	58002538	1	58052037	R02_0_67613	58052037	1	58056208	D.01.01.A0001_02	1	1
58020258	M01_0_67400	58020258	1		R02_1_82042	58052037	1		D01_1_77361	58056208	1
58042111	S.01.01.A0027_00	5		58052038	R02_0_67613	58052038	1	58056221	B.01.01.A0001_03	21	1
58042219	J01_0_67154	58042219	1		R02_1_82042	58052038	1		B01_0_66748	58056221	1
58042746	P01_1_81340	58042746	1	58052039	R02_0_67613	58052039	1		B01_1_72788	58056221	1
58043053	G.01.01.A0003_01	12	1		R02_1_82042	58052039	1		B01_2_77329	58056221	1
	G01_0_66844	58043053	1	58052047	R02_0_67613	58052047	1	58056222	B.01.01.A0001_03	12	1





## SPARE PARTS INSTANCE INDEX

Code	Parts Table	Pos.	Q.ty	Code	Parts Table	Pos.	Q.ty	Code	Parts Table	Pos.	Q.ty
58056222	B01_0_66748	58056222	1	58057676	R01_0_67594	58057676	1	59056127H	A.01.01.A0003_01	11	1
	B01_1_72788	58056222	1	58057677	R01_0_67594	58057677	1		A.01.01.A0003_02	16	
	B01_2_77329	58056222	1	58057724	R01_0_67594	58057724	1		A.01.01.A0003_03	15	
58056238	B01_0_66748	58056238	1	58057732	R01_0_67594	58057732	1	59056225Z	B.01.01.A0001_03	14	1
58056249	D01_0_66794	58056249	1	58057746	R01_0_67594	58057746	1		B01_0_66748	59056225	1
58056391	H.01.01.A0003_01	12	1	58057747	R01_0_67594	58057747	1		B01_1_72788	59056225	1
	H01_0_66868	58056391	1	58057748	R01_0_67594	58057748	1		B01_2_77329	59056225	1
58056595	L01_0_67298	58056595	1	58057767	R01_0_67594	58057767	1	59056230Z	B01_0_66748	59056230	1
58056683	B.01.01.A0001_03	27	1	58057768	R01_0_67594	58057768	1		B01_1_72788	59056230	1
58056798Z	B01_0_66748	58056798	1	58093089	R01_0_67594	58093089	1		B01_2_77329	59056230	1
	B01_1_72788	58056798	1	580C0041	B.01.01.A0001_03	7	1	59056248	G.01.01.A0003_01	9	1
58056811	K01_0_67213	58056811	1		B01_2_77329	580C004	1		G01_0_66844	59056248	1
58056837	L01_0_67298	58056837	1	58135225	Q01_0_67569	58135225	0	59056298Z	B.01.01.A0001_03	18	1
58056843	L01_0_67298	58056843	1		Q01_1_81859	58135225	0	59056378	H01_0_66868	59056378	1
58056864	R01_0_67594	58056864	1	58150313	K01_0_67213	58150313	1	59056395	H.01.01.A0003_01	2	1
58056866	R01_0_67594	58056866	1	58157405	Q01_0_67569	58157405	1	59056672	G.01.01.A0003_01	15	1
58056867	R01_0_67594	58056867	1		Q01_1_81859	58157405	1		G01_0_66844	59056672	1
58056868	R01_0_67594	58056868	1	58170021	B.01.01.A0001_03	6	1	59056817B	J01_0_67154	59056817	1
58056869	R01_0_67594	58056869	1		B01_0_66748	58170021	1	59056823V	M01_0_67400	59056823	1
58056991	A.01.01.A0003_01	8	1		B01_1_72788	58170021	1	59056824N	M01_0_67400	59056824	1
	A.01.01.A0003_02	10			B01_2_77329	58170021	1	59056830	I01_0_67010	59056830	1
	A.01.01.A0003_03	8		59048200N	N.01.01.A0003_01	6	1	59057228N	M01_0_67400	59057228	1
	A01_0_66711	58056991	1		N01_0_67516	59048200	1	59057325	M01_0_67400	59057325	1
	S.01.01.A0027_00	11		59048208	N.01.01.A0003_01	8	1	59057390	Q01_0_67569	59057390	1
58057232Z	M01_0_67400	58057232	1	59048208N	N01_0_67516	59048208	1		Q01_1_81859	59057390	1
58057266	A.01.01.A0003_01	5	1	59053021G	A01_0_66711	59053021	1	59057604	Q01_0_67569	59057604	1
	A.01.01.A0003_02	5		59053021H	A.01.01.A0003_01	11	1		Q01_1_81859	59057604	1
	A01_0_66711	58057266	1		A.01.01.A0003_02	16		59256035	D.01.01.A0001_02	5	1
58057386	Q01_0_67569	58057386	1		A.01.01.A0003_03	15			D01_0_66794	59256035	1
	Q01_1_81859	58057386	1	59053040G	A01_0_66711	59053040	1		D01_1_77361	59256035	1
58057450	R01_0_67594	58057450	1	59053040H	A.01.01.A0003_01	11	1	59256036	D.01.01.A0001_02	5	1
58057451	R01_0_67594	58057451	1		A.01.01.A0003_02	16			D01_0_66794	59256036	1
58057610	Q01_0_67569	58057610	1		A.01.01.A0003_03	15			D01_1_77361	59256036	1
58057625	R01_0_67594	58057625	1	59056127G	A01_0_66711	59056127	1	59256037	D.01.01.A0001_02	5	1



## SPARE PARTS INSTANCE INDEX

Code	Parts Table	Pos.	Q.ty
59256037	D01_0_66794	59256037	1
	D01_1_77361	59256037	1
59256038	D.01.01.A0001_02	5	1
	D01_0_66794	59256038	1
	D01_1_77361	59256038	1
59256039	D.01.01.A0001_02	5	1
	D01_0_66794	59256039	1
	D01_1_77361	59256039	1
59256180	L01_0_67298	59256180	1
59256200	B.01.01.A0001_03	11	1
	B01_0_66748	59256200	1
	B01_1_72788	59256200	1
	B01_2_77329	59256200	1
59256693	C.01.01.A0001_02	12	1
	C01_1_72820	59256693	1
59256855	K01_0_67213	59256855	1
59257488	S.01.01.A0027_00	9	
59257517	S.01.01.A0027_00	18	
59257523	S.01.01.A0027_00	18	
592C0080	S.01.01.A0027_00	18	
92249993	P01_0_67539	92249993	1
	P01_1_81340	92249993	1
92480703	P01_0_67539	92480703	1
	P01_1_81340	92480703	1
92480719	P01_0_67539	92480719	1
	P01_1_81340	92480719	1
92480720	P01_0_67539	92480720	1
	P01_1_81340	92480720	1
92480721	P01_0_67539	92480721	1
	P01_1_81340	92480721	1
92480757	P01_0_67539	92480757	1
	P01_1_81340	92480757	1
92480758	P01_0_67539	92480758	1
	P01_1_81340	92480758	1

Code	Parts Table	Pos.	Q.ty
92480836	P01_0_67539	92480836	1
	P01_1_81340	92480836	1
F0803067000	F01_0_66821	F0803067	1
	F01_1_77388	F0803067	1
F0803075500	F01_0_66821	F0803075	1
	F01_1_77388	F0803075	1
F0825500200	Q01_0_67569	F0825500	1
	Q01_1_81859	F0825500	1
F0825500210	Q01_0_67569	F0825500	1
	Q01_1_81859	F0825500	1
F0825500220	Q01_0_67569	F0825500	1
	Q01_1_81859	F0825500	1
F0831193010	M01_0_67400	F0831193	1
F0844273090	B.01.01.A0001_03	8	1
	B01_0_66748	F0844273	1
	B01_1_72788	F0844273	1
	B01_2_77329	F0844273	1